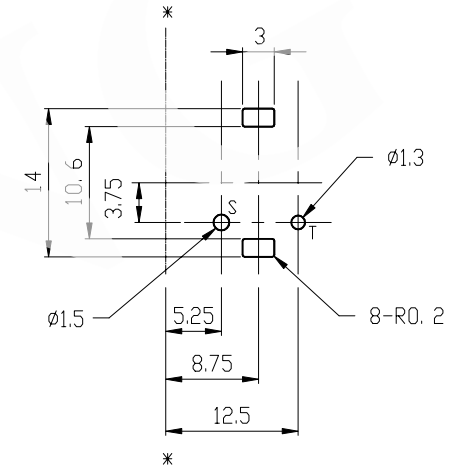
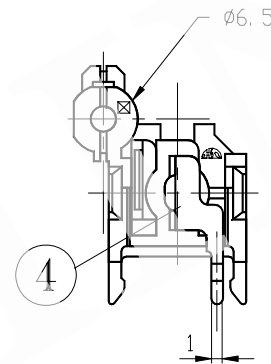
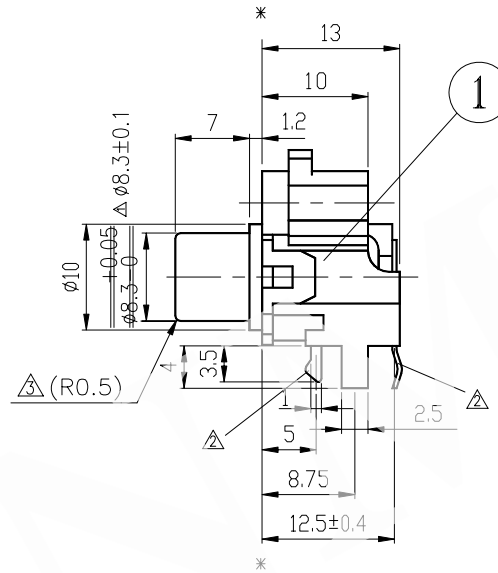
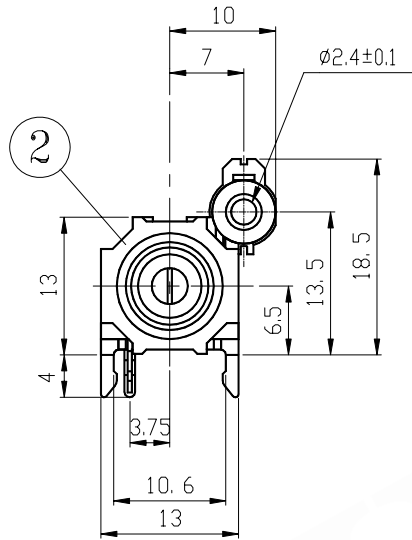
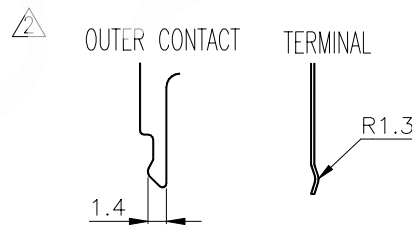
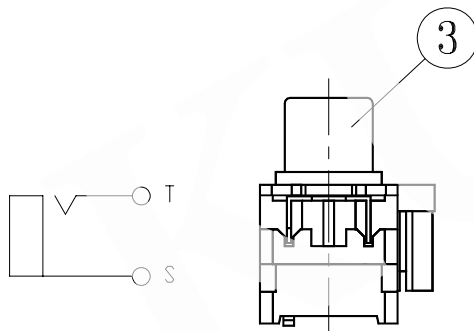


REVISIONS

LTR	DESCRIPTION	DATE	REVISED	APPROVED
△×1	尺寸公差變更(比照日本規格)	1996.05.04	H.P.LIU	C.H.CHANG
△×2	加註尺寸	1997.07.24	H.Y.CHOU	KUNG
△×1	加註尺寸	1997.11.07	H.Y.CHOU	KUNG
△×1	顏色及鍍層表示說明改參照顏色料號圖	2003.09.21	SIMON	JOHNSON



HOLE LAYOUT (TOLERANCE ±0.1)
(BOTTOM VIEW)



UNLESS OTHERWISE SPECIFIED, TOLERANCE ON DECIMAL : ±0.3 ANGLES: ±5°

4	TERMINAL	1	C2680,	t=0.4	△Please refer color combination list.	
3	OUTER CONTACT	1	C2680,	t=0.4		
2	COVER	1	ABS,	UL-94HB		
1	HOUSING	1	ABS,	UL-94HB		
LTR	PART NAME	QTY	MATERIAL		REMARK	
DWN	SIMON	DATE	2003.09.21	3RD ANGLE PROJECTION	NAME	
DSND	SIMON	DATE	2003.09.22		CAT. No.	
CHKD	JOHNSON	DATE	2003.09.22		HSP-241V	
APVD	KUNG	DATE	2003.09.22	UNIT : mm	DWN. No.	
KUNMING ELECTRONICS CO., LTD.					A-241V	1/1
						B