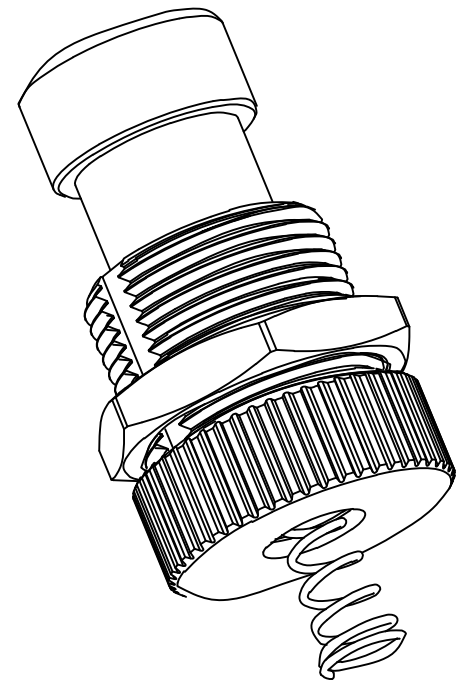
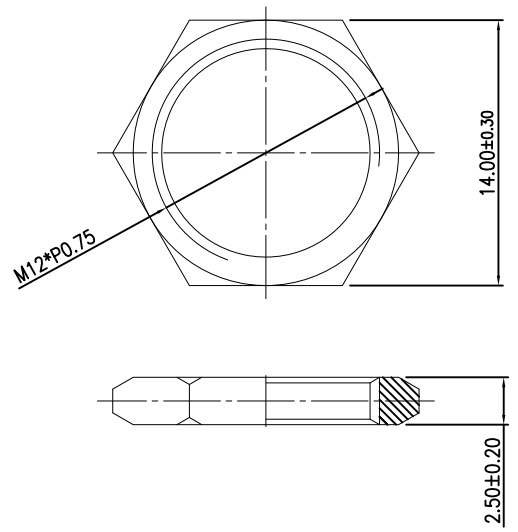
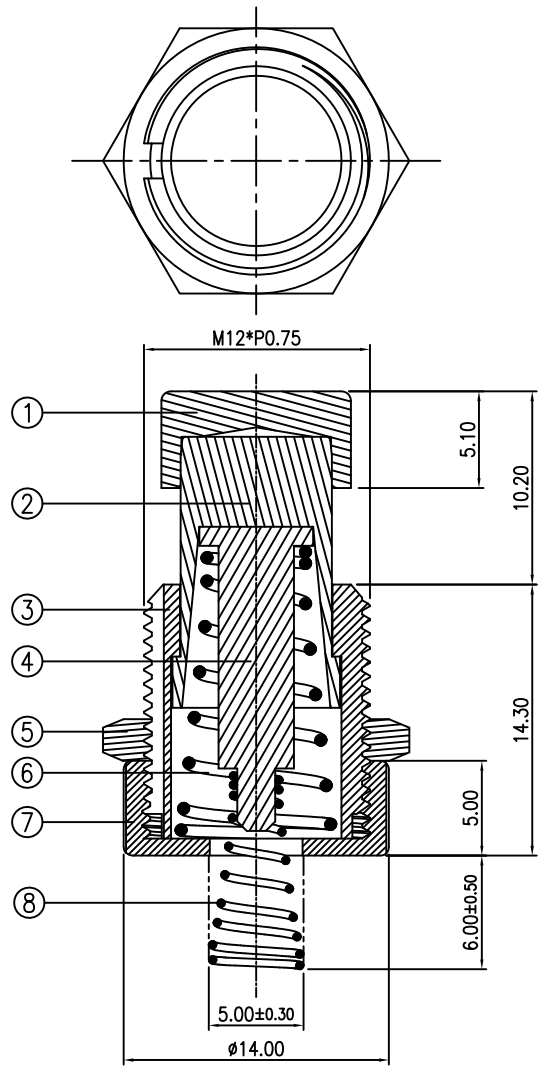


		REVISIONS			
LTR	DESCRIPTION	DATE	REV.	CHKD.	APVD.

Notes:

1. Operating Force:650±200gf.cm
2. Life Cycles:20,000 cycles
3. Working force for bushing with nut:
Test with torsion meter and increase torsion greater then 8 kgf.cm
4. Stay-Nut torsion strength 8 kgf.cm
5. 1 pc. of nut is pack separately



8	SPRING-B	1	SWP-B	Heat treatment
7	STAY NUT	1	Brass	Ni 60u"
6	SPRING-A	1	SWP-B	Heat treatment
5	NUT	2	Brass	Ni 60u"
4	STAY BLOCK	1	Brass	Ni 60u"
3	BUSHING	1	Brass	Ni 60u"
2	SHAFT	1	Brass	Ni 60u"
1	CAP	1	Brass	Ni 60u"
LTR	PART NAME	Q'TY	MATERIAL	REMARK
DWN	陳衛兵	DATE	2015.12.18	SCALE 4/1
ANGULAR	±5°	DSND	IRENE	DATE
0.0	±0.25	CHKD	張啟濤	DATE
0.00	±0.40	APVD	陳宗碧	DATE
KUNMING ELECTRONICS CO.,LTD.				PROJECTION
				UNIT:mm
				NAME USE FOR PEDAL-SWITCH
				CAT. NO.
				KMSWFKP1B15
				DWN.NO.
				A-SWFKP1B15
				1/1
				001

The raw material specified by Sony should meet SS-00259 requirement of the latest version. When such material is used, it should be supplied by Sony designated suppliers.