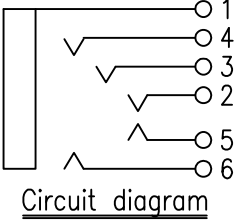
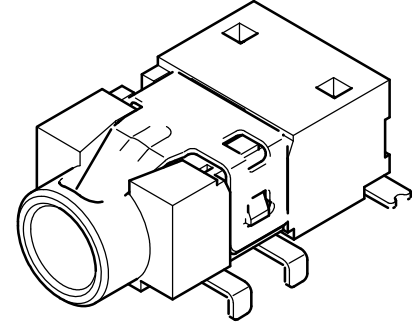
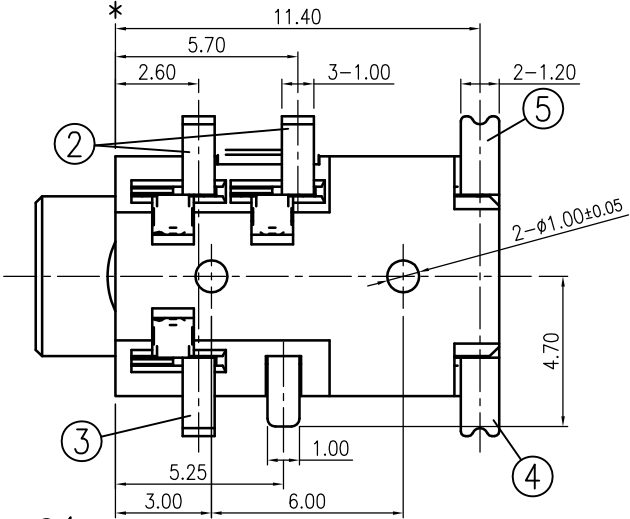
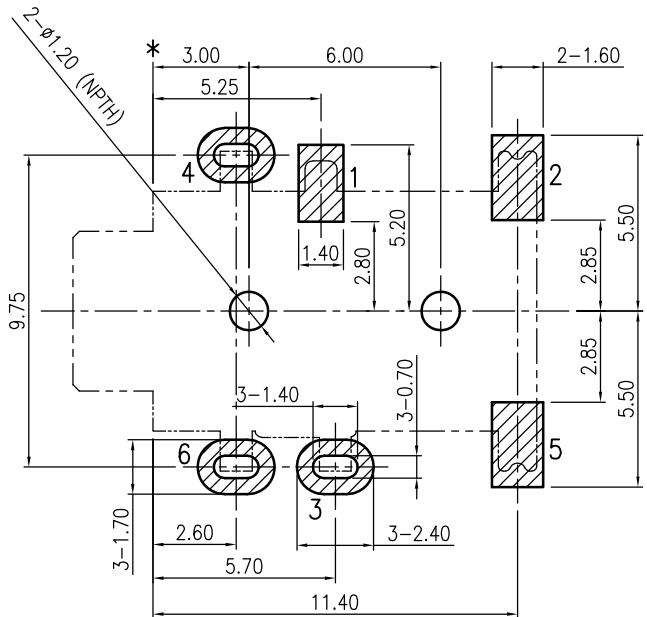
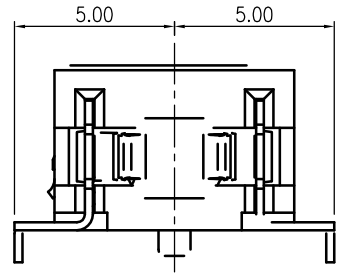
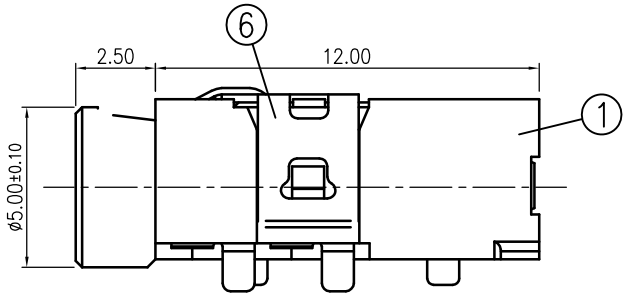
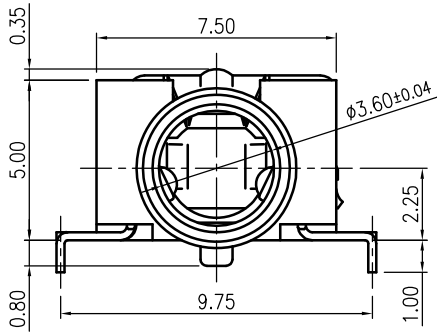


REVISIONS					
LTR	DESCRIPTION	DATE	REV.	CHKD.	APVD.



6	EARTH SPRING(1)	1	Copper Alloy	t=0.25	MBNi1 μ m-Sn3 μ m
5	TIP SPRING(5)	1	Copper Alloy	t=0.25	MBNi1 μ m-Sn3 μ m
4	TIP SPRING(2)	1	Copper Alloy	t=0.25	MBNi1 μ m-Sn3 μ m
3	SPRING TERMINAL(4)	1	Copper Alloy	t=0.25	MBNi1 μ m-Sn3 μ m
2	SPRING TERMINAL(3, 6)	2	Copper Alloy	t=0.25	MBNi1 μ m-Sn3 μ m
1	HOUSING	1	High Temperature Thermoplastic UL 94V-0		Black

* PCB Layout Dimension (Tolerance: ± 0.05)

(Recommend min. Dimension)(Top View)

: Pad Area
 - - - - - : Keep Out Area

Note: All surface-mount parts must keep 0.1mm coplanarity.

DIMENSION	TOLERANCE	LTR	PART NAME	Q'TY	MATERIAL	REMARK
120~315	± 0.5	DWN	黃健瑋	DATE	2013.09.06	SCALE 4/1 PROJECTION UNIT: mm NAME MINIATURE JACK CAT. NO. KM35011C00BP0T0 DWN.NO. A-35011C00BP0T0 1/1 001
30~120	± 0.35	DSND	黃健瑋	DATE	2013.09.06	
6~30	± 0.22	CHKD	郭素玲	DATE	2013.09.06	
BELOW 6	± 0.16	APVD	郭遠峰	DATE	2013.09.06	

KUNMING ELECTRONICS CO.,LTD.