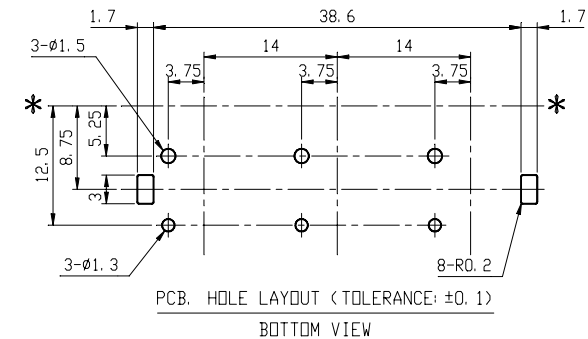
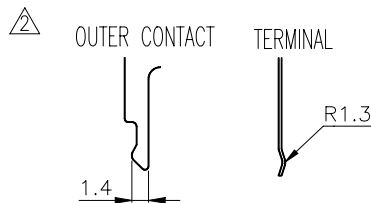
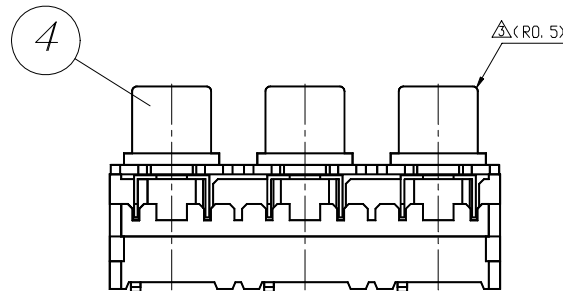
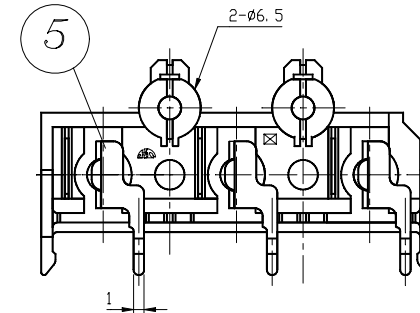
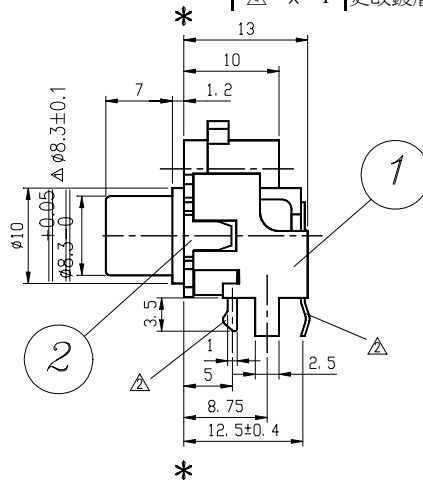
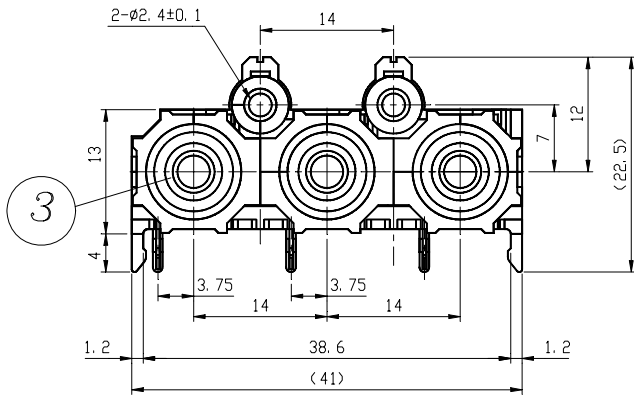


REVISIONS

LTR	DESCRIPTION	DATE	REVISED	APPROVED
△ × 1	尺寸公差變更(比照日本規格)	1996.05.04	H.P.LIU	C.H.CHANG
△ × 2	加註尺寸	1997.07.24	H.Y.CHOU	KUNG
△ × 1	加註尺寸	1997.11.07	H.Y.CHOU	KUNG
△ × 1	更改鍍層參照顏色料號對照表	2003.09.12	JAER	KUNG



5	TERMINAL	3	C2680, t=0.4	△Please refer color combination list.
4	OUTER CONTACT	3	C2680, t=0.4	
3	WASHER	2	POM, UL-94HB	
2	COVER	1	ABS, UL-94HB	
1	HOUSING	1	ABS, UL-94HB	

LTR	PART NAME	QTY	MATERIAL	REMARK
DSND	W.SLO	DATE	1995.01.27	NAME <b>PIN JACK</b> CAT. No. HSP-253V-__
DWN	JAER	DATE	2003.09.12	
CHKD	DAVID	DATE	2003.09.12	
APVD	KUNG	DATE	2003.09.15	
			UNIT : mm	

UNLESS OTHERWISE SPECIFIED, TOLERANCE ON DECIMAL:±0.3

ANGLES:±5°

**KUNMING ELECTRONICS CO., LTD.**

DWN. No.  
A-253V

1/1  
B