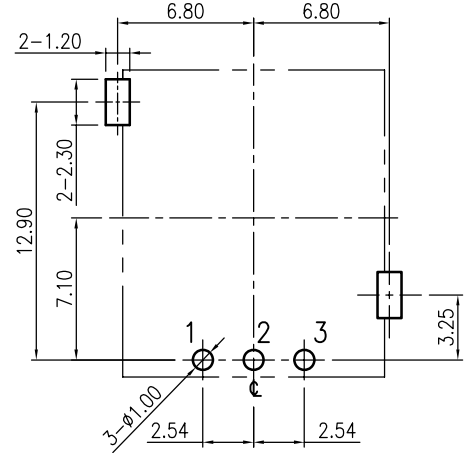
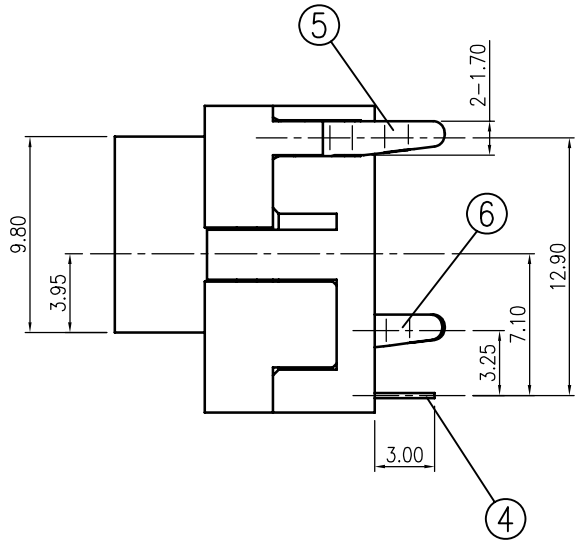
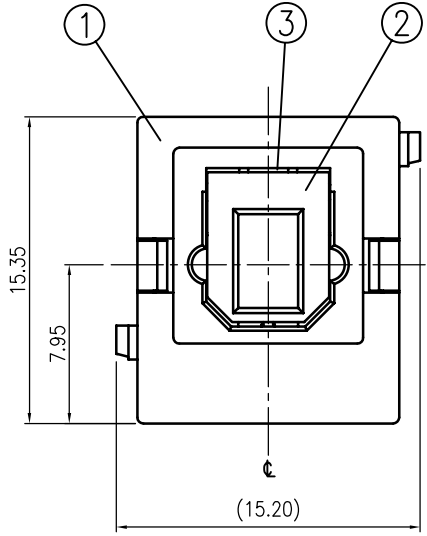
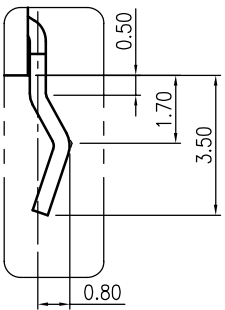
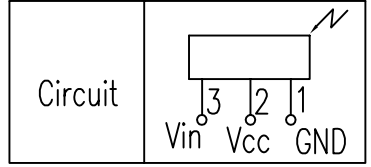
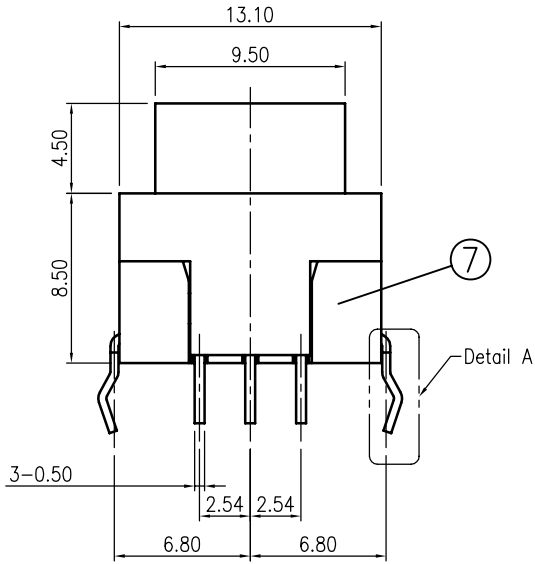


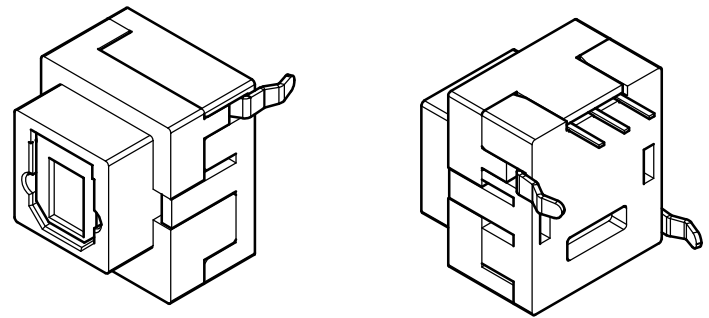
REVISIONS					
LTR	DESCRIPTION	DATE	REV.	CHKD.	APVD.



P.C.B Layout Dimension (Tolerance: ±0.1)
(Recommend min. Dimension) (Bottom View)



Detail A
Scale: 2:1



LTR	PART NO.	QTY	MATERIAL	REMARK
7	COVER	1	PBT+GF UL 94V-0	BLACK
6	TERMINAL-L	1	BRASS t=0.40	MB: Cu2μm-Sn3μm
5	TERMINAL-R	1	BRASS t=0.40	MB: Cu2μm-Sn3μm
4	LIGHT TRANSMITTING UNIT	1		
3	SPRING	1	STAINLESS STEEL t=0.20	
2	COVER	1	PBT+GF UL 94V-0	BLACK
1	HOUSING	1	PBT+GF UL 94V-0	BLACK

DIMENSION	TOLERANCE	LTR	PART NO.	QTY	MATERIAL	REMARK
120~315	±0.5	DWN	MIMO	DATE	2009.08.12	NAME 8.5mm Height Vertical Optical
30~120	±0.35	DSND	MIMO	DATE	2009.08.12	
6~30	±0.22	CHKD	JACKY	DATE	2009.08.12	CAT. NO. KM15010T16BE
BELOW 6	±0.16	APVD	DICK	DATE	2009.08.12	
KUNMING ELECTRONICS CO.,LTD.						DWN.NO. A-15010
						1/1 001