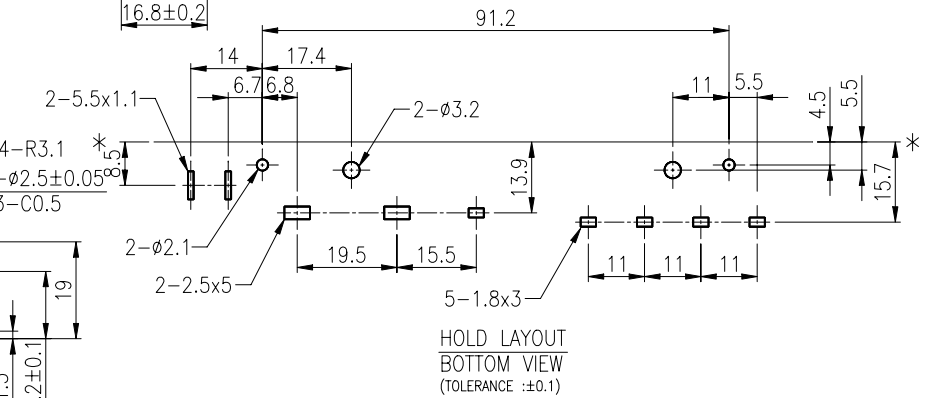
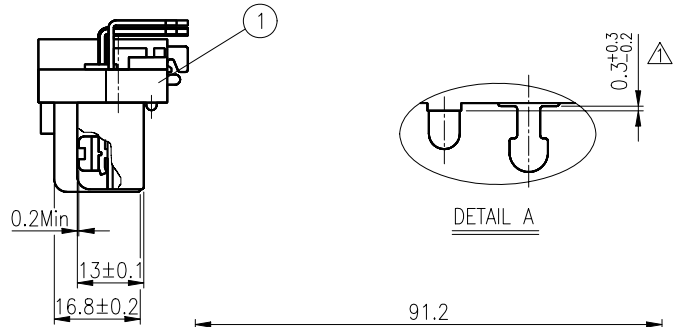


REVISIONS				
LTR	DESCRIPTION	DATE	REVISED	APPROVED
$\Delta x1$	變更五金端子尺寸,防止產品鎖 PCB 後傾斜.	2002.12.06	ROBIN	JOHNSON
$\Delta x1$	變更鍍層表示,參照顏色料號表	2003.10.14	TARRY	JOHNSON



8	NUT	2		
7	FUSE TERMINAL (S)	1	C2680	t=0.5
6	FUSE TERMINAL (L)	1	C2680	t=0.5
5	M6 TERMINAL 4	2	C2680	t=1.6
4	M4 TERMINAL 2	5	C2680	t=1
3	SCREW WASHER M6	2		
2	SCREW WASHER M4	5		
1	HOUSING	1	PBT+30%GF	BLACK (UL-94V-0)

Please refer color combination list Δ

LTR	PART NAME	QTY	MATERIAL	REMARK
DSND	ROBIN	DATE	2002.06.14	NAME TERMINAL BLOCK CAT. No. KM12008
DWN	TARRY	DATE	2003.10.14	
CHKD	JOHNSON	DATE	2003.10.16	
APVD	KUNG	DATE	2003.10.16	
UNIT : mm				

UNLESS OTHERWISE SPECIFIED, TOLERANCE ON DECIMAL: ± 0.3 ANGLES: $\pm 5^\circ$

KUNMING ELECTRONICS CO., LTD.

DWN. No.	1/1
A-12008	B