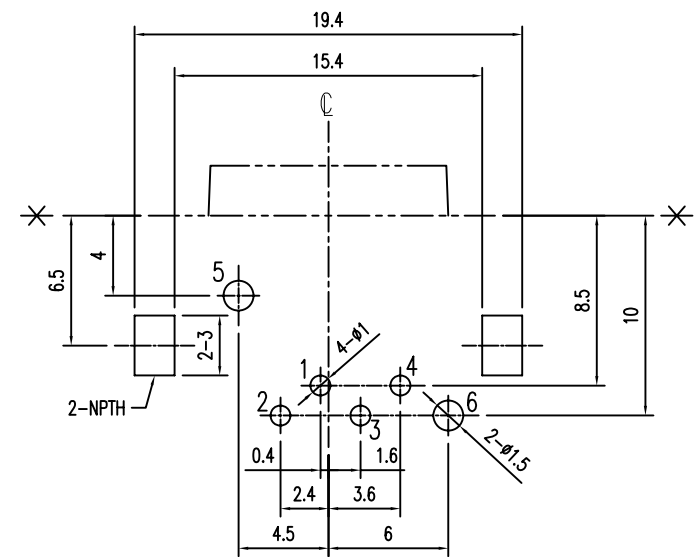
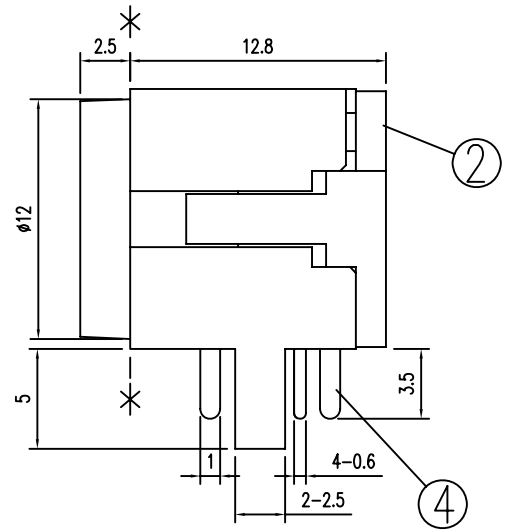
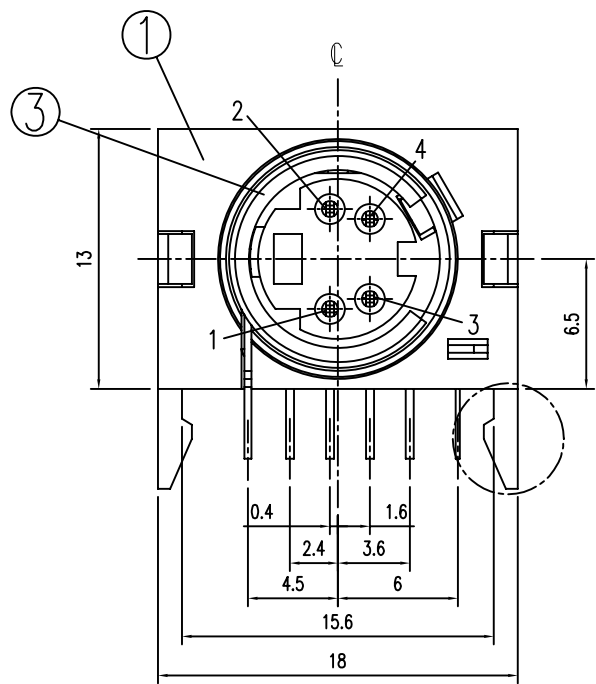
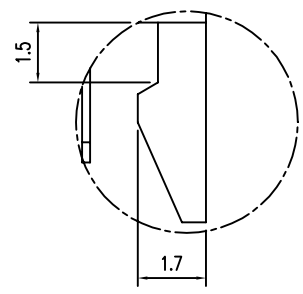
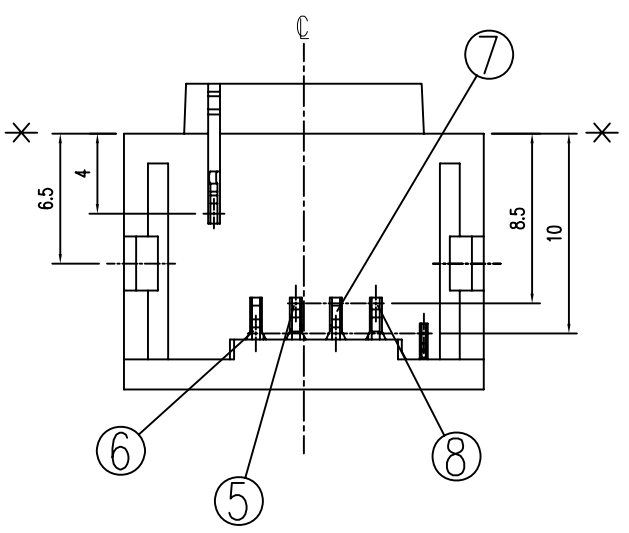
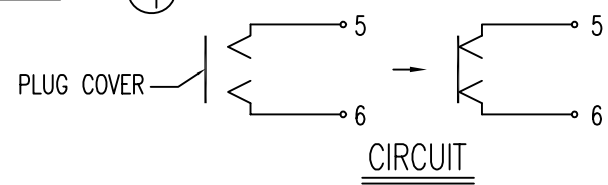


REVISIONS				
LTR	DESCRIPTION	DATE	REVISED	APPROVED



P.C.B Layout Dimension (Tolerance:±0.1)
(Recommend min.Dimension)(bottom view)



Detail A
Scale:2:1

QTY	PART NO.	MATERIAL	REMARK
1	TERMINAL-4	Copper Alloy t=0.4	Sn plating
1	TERMINAL-3	Copper Alloy t=0.4	Sn plating
1	TERMINAL-2	Copper Alloy t=0.4	Sn plating
1	TERMINAL-1	Copper Alloy t=0.4	Sn plating
1	GROUND CONTACT-2	Copper Alloy t=0.2	Sn plating
1	GROUND CONTACT-1	Copper Alloy t=0.35	Ni plating
1	COVER	PBT+GF	BLACK
1	HOUSING	PBT+GF	BLACK

LTR	PART NO.	QTY	MATERIAL	REMARK
120~315	±0.5	DWN	PATRICK	DATE 2008.07.09
30~120	±0.35	DSND	PATRICK	DATE 2008.05.07
6~30	±0.22	CHKD	JOHNSON	DATE 2008.07.09
BELOW 6	±0.16	APVD	DICK	DATE 2008.07.09
DIMENSION	TOLERANCE	KUNMING ELECTRONICS CO.,LTD.		DWN.NO. A-09005P

SCALE 2.5/1
PROJECTION
UNIT: mm

NAME S-JACK
CAT. NO. KM09005P
DWN.NO. A-09005P
1/1
A