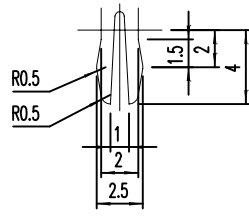
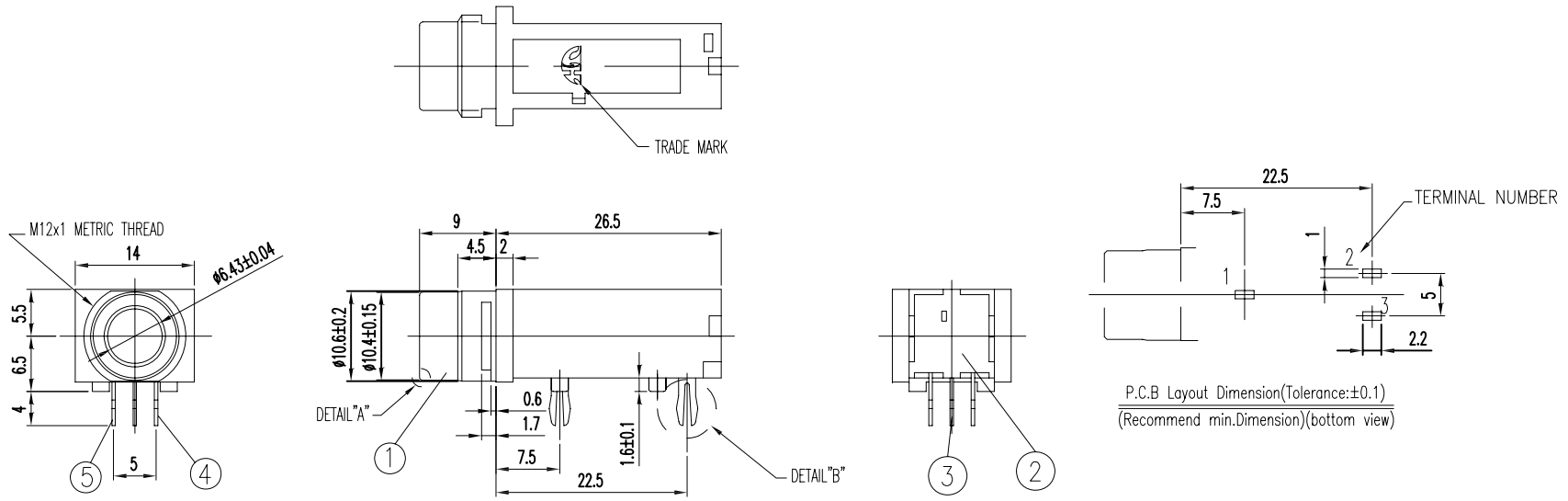
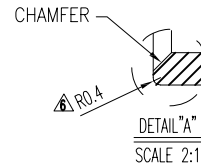
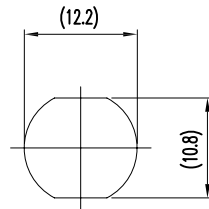


REVISIONS

LTR	DESCRIPTION	DATE	REV.	CHKD.	APVD.
△x1	更改外形尺寸,與實物相符.	2008.06.07	YANGZHIBIN	Qilin/ALLAN	Stanly



DETAIL "B"
APPLIED TO TERMINAL
NO. 1,2,3
(SCALE 2:1)



PART NO.	HTJ-064-10D
SCHEMATIC	

5	RING TERMINAL (3)	1	Copper Alloy , t=0.3	Please refer color combination list
4	TIP SPRING (2)	1	Copper Alloy , t=0.4	
3	EARTH SPRING (1)	1	Copper Alloy , t=0.3	
2	COVER	1	PBT+GF	
1	HOUSING	1	PBT+GF	

LTR	PART NO.	QTY	MATERIAL	REMARK
120~315	±0.5	DWN	JACKY	DATE 2008.05.29
30~120	±0.35	DSND	LD	DATE 2006.02.14
6~30	±0.22	CHKD	JOHNSON	DATE 2008.05.29
BELOW 6	±0.16	APVD	Dick	DATE 2008.05.29

UNLESS OTHERWISE SPECIFIED, TOLERANCE ON DECIMAL: ±0.3

ANGLES:±5°

DIMENSION	TOLERANCE	KUNMING ELECTRONICS CO.,LTD.			DWN.NO.	1/1
					A-06410D	F