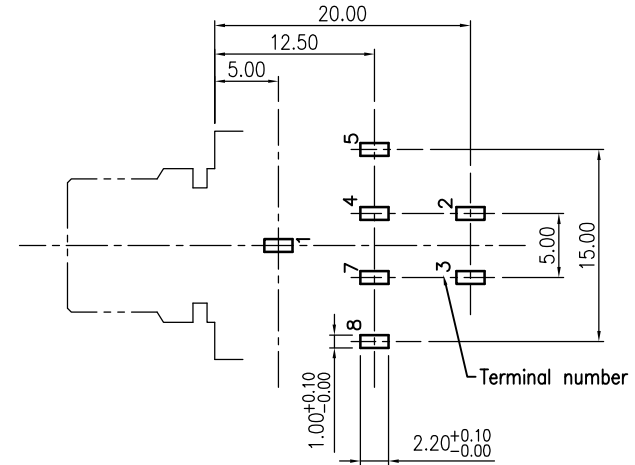
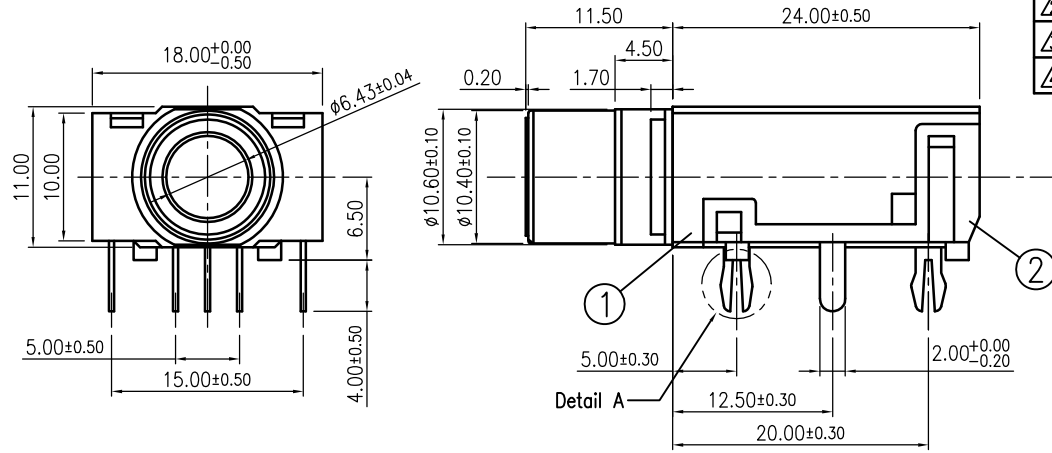
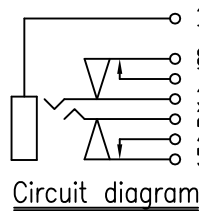
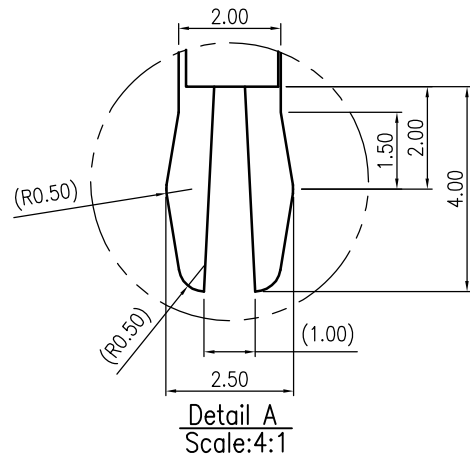
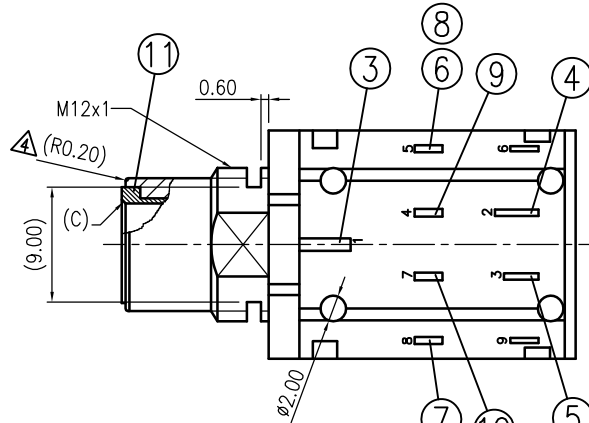
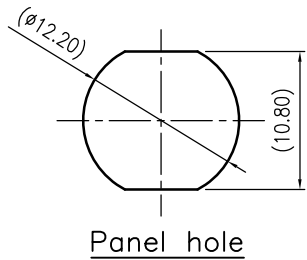


REVISIONS

LTR	DESCRIPTION	DATE	REV.	CHKD.	APVD.
△x1	變更HOUSING材質ABS=>PBT+GF	2006.07.27	侯強		劉望全
△x1	To revise the drawing by official letter.(C803001)	2011.07.28	黃健瑋	郭素玲	郭素玲
△x2	To correct the material (ECR: C03110305)	2011.08.02	黃健瑋	郭素玲	郭遠峰
△x1	To correct the shape of product.(CEN070010)	2011.02.22	黃健瑋	郭素玲	郭遠峰



PCB Layout Dimension (Tolerance: ±0.10)
(Recommend min. Dimension)(Bottom View)



△	11	SLEEVE	1	Brass	
△	10	B TERMINAL-L(7)	1	Brass	t=0.40
△	9	B TERMINAL-R(4)	1	Brass	t=0.40
	8	SEPARATOR	2	High Temperature Thermoplastic UL 94V-0	
	7	T TERMINAL-L(8)	1	Copper Alloy	t=0.35
	6	T TERMINAL-R(5)	1	Copper Alloy	t=0.35
	5	RING TERMINAL(3)	1	Copper Alloy	t=0.30
	4	TIP SPRING(2)	1	Copper Alloy	t=0.35
	3	EARTH SPRING(1)	1	Copper Alloy	t=0.30
	2	COVER	1	POM	UL 94HB
△	1	HOUSING	1	PBT+GF	UL 94V-0

Please refer color and plating combination list.

LTR	PART NAME	Q'TY	MATERIAL	REMARK
120~315	±0.5	DWN	侯強	DATE 2006.07.27
30~120	±0.35	DSND	Y.H.CHOU	DATE 1998.10.07
6~30	±0.22	CHKD	劉望全/夏正雄	DATE 2006.07.27
BELOW 6	±0.16	APVD	郭遠峰	DATE 2006.07.27
DIMENSION	TOLERANCE	KUNMING ELECTRONICS CO.,LTD.		DWN.NO. A-06407A
				1/1
				D

UNLESS OTHERWISE SPECIFIED, TOLERANCE ON DECIMAL: ±0.30 ANGLES: ±5°