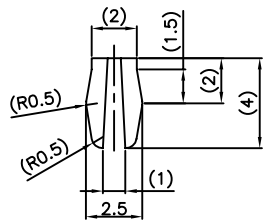
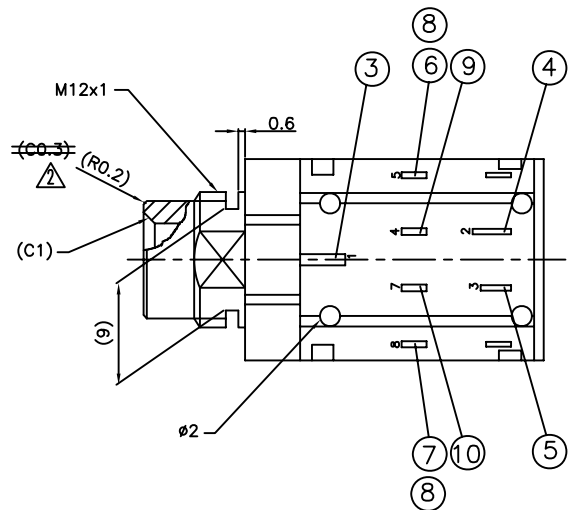
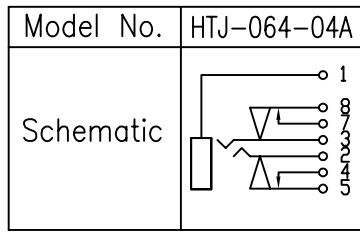


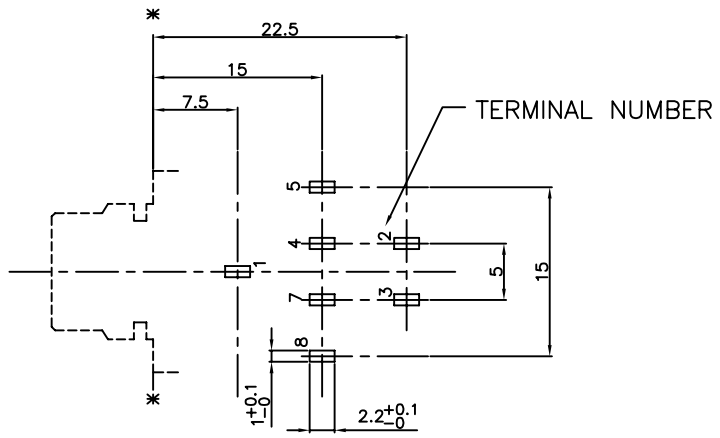
PANEL HOLE



DETAIL OF TERMINAL NO.1,2,3  
SCALE 2:1



REVISIONS				
LTR	DESCRIPTION	DATE	REVISED	APPROVED
△ x1	補本體材質變更, 由 ABS → PBT+GF	2007.09.10	PATRICK	Dick Kuo
△ x9	更改外形尺寸, 與實物相符, 材質 C5212 變更爲 C521G, 添加防火等級標誌	2007.12.08	LEGEND	ALLAN



P.C.B Layout Dimension (Tolerance: ±0.1)  
(Recommend min. Dimension) (bottom view)

10	B TERMINAL -L	(7)	1	C2680	t=0.4	Please refer color combination list!
9	B TERMINAL -R	(4)	1	C2680	t=0.4	
8	SEPARATOR		2	PA66	△ UL-94V-0	
7	T TERMINAL -L	(8)	1	C5212 △, C5210	t=0.35	
6	T TERMINAL -R	(5)	1	C5212 △, C5210	t=0.35	
5	RING TERMINAL	(3)	1	C5212 △, C5210	t=0.3	
4	TIP SPRING	(2)	1	C5212 △, C5210	t=0.35	
3	EARTH SPRING	(1)	1	C5212 △, C5210	t=0.3	
2	COVER		1	POM	△ UL-94HB	
1	HOUSING		1	ABS △ PBT+GF △	△ UL-94V-0	
LTR	PART NAME	QTY	MATERIAL		REMARK	
DWN	LEGEND	DATE	2007.12.18	SCALE /	NAME PHONE JACK	
DSND	Y.H.KUNG	DATE	1992.06.02	3RD ANGLE PROJECTION	CAT. NO. HTJ-064-04A_	
CHKD	Qilin	DATE	2007.12.26			UNIT:
APVD	ALLAN	DATE	2007.12.29			
KUNMING ELECTRONICS CO.,LTD.					DWN.NO. A-06404A	1/1 C