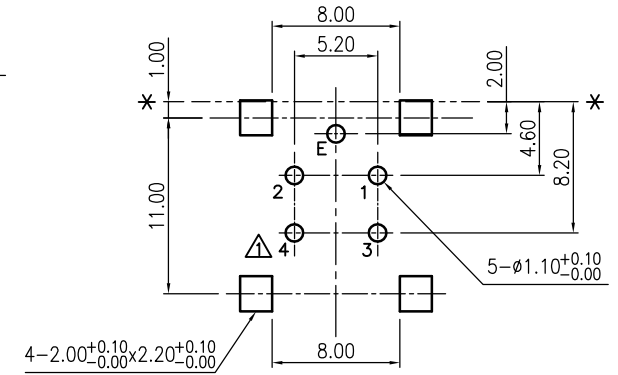
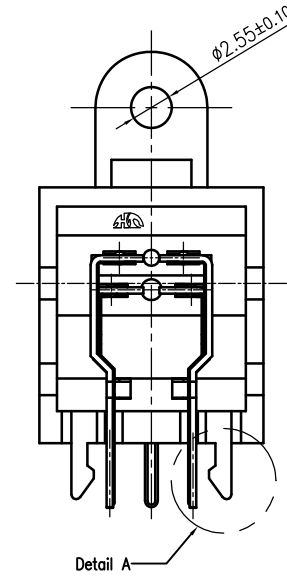
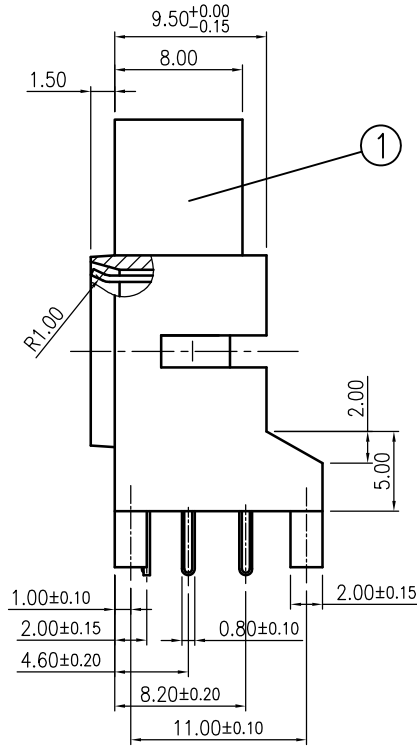
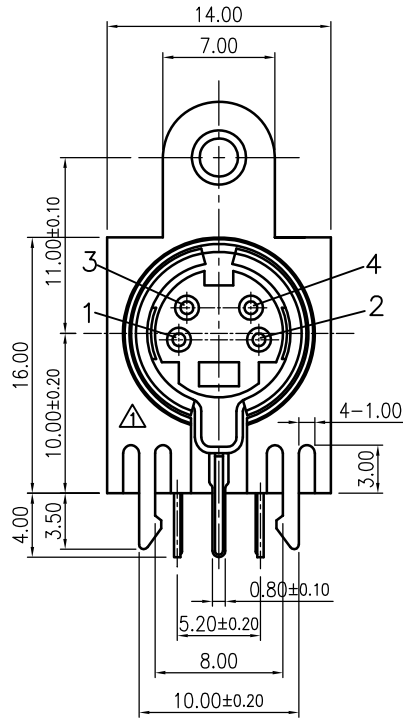
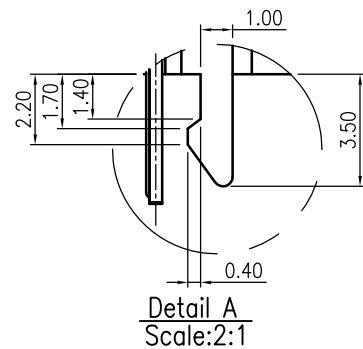
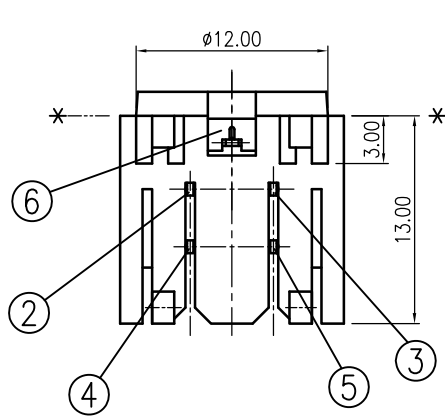


REVISIONS

LTR	DESCRIPTION	DATE	REV.	CHKD.	APVD.
△x3	並圖,修改S端子標出順序及電鍍層參照顏色列表	2004.01.06	鍾昌明		夏正雄
△x4	To change the material.(ECR No.CEN080007)	2012.05.10	銀 晶	張啓濤	郭素玲
△x1	To revise the drawing by official letter.(C803001)	2012.05.10	銀 晶	張啓濤	郭素玲



PCB Layout Dimension (Tolerance:±0.10)  
(Recommend min. Dimension)(Bottom View)



QTY	PART NAME	MATERIAL	REMARK
6	GROUND CONTACT	Copper Alloy t=0.40	△ Please refer color and plating combination list.
5	CONTACT(4)	Copper Alloy △ t=0.40	
4	CONTACT(3)	Copper Alloy △ t=0.40	
3	CONTACT(2)	Copper Alloy △ t=0.40	
2	CONTACT(1)	Copper Alloy △ t=0.40	
1	HOUSING	ABS UL 94HB	

LTR	PART NAME	QTY	MATERIAL	REMARK
120~315	±0.5	DWN	鍾昌明	DATE 2004.01.06
30~120	±0.35	DSND	劉怡廷	DATE 2000.10.23
6~30	±0.22	CHKD	夏正雄	DATE 2004.01.12
BELOW 6	±0.16	APVD	龔雲輝	DATE 2004.01.12
KUNMING ELECTRONICS CO.,LTD.				NAME S-JACK
SCALE 2/1				CAT. NO. HDC-056
PROJECTION				DWN.NO. A-056
UNIT: mm				1/1
				C

UNLESS OTHERWISE SPECIFIED, TOLERANCE ON DECIMAL:±0.30 ANGLES: ±5°