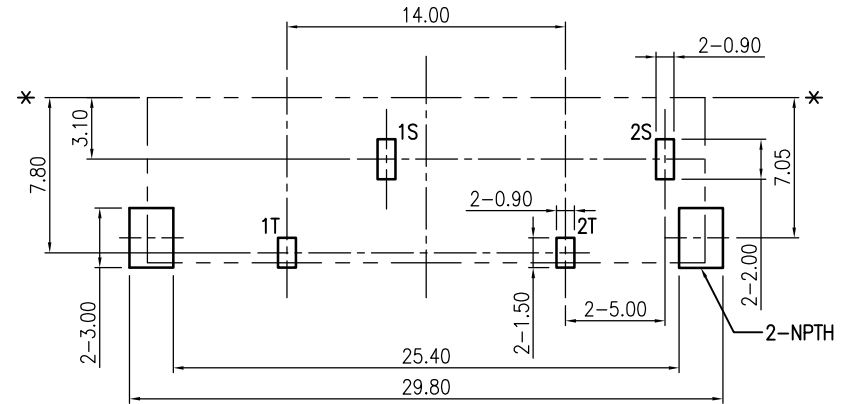
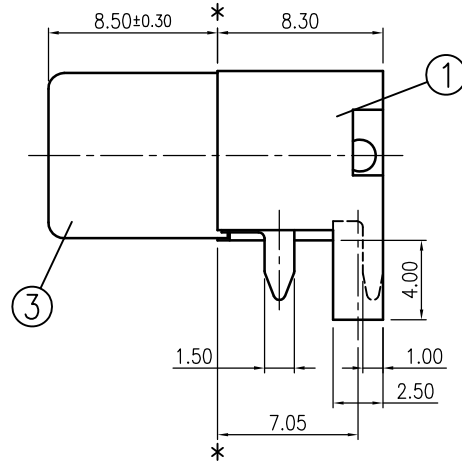
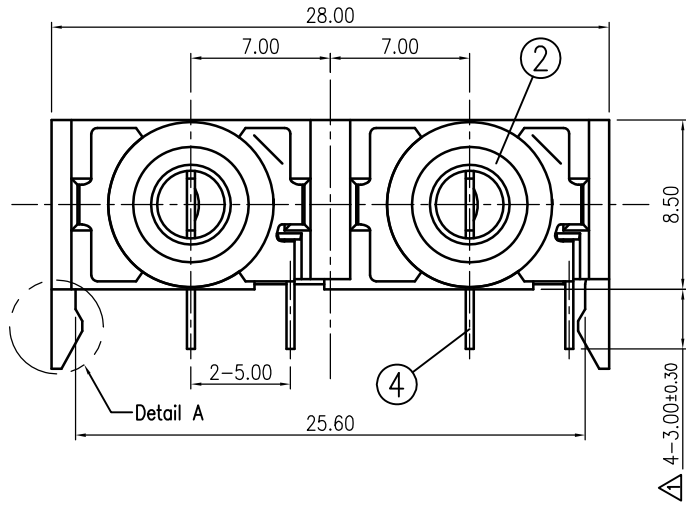
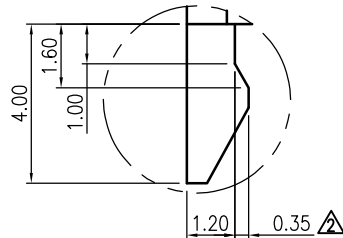
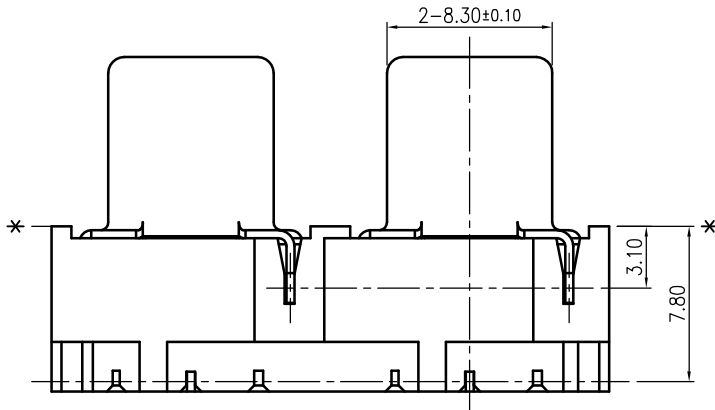


REVISIONS

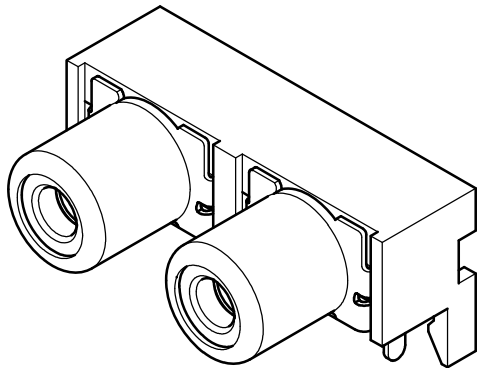
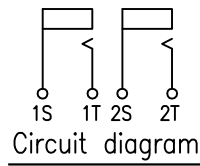
LTR	DESCRIPTION	DATE	REV.	CHKD.	APVD.
△x1	Solder tail is moified.(ECR No.C03120407)	2012.08.07	黃健瑋	郭素玲	郭遠峰
△x1	To modify the dimension of hook.(ECR No.C03130494)	2013.12.02	黃健瑋	郭素玲	郭遠峰



PCB Layout Dimension (Tolerance:±0.05)  
(Recommend min. Dimension)(Bottom View)



Detail A  
Scale:2:1



4	CENTER CONTACT(1T~2T)	2	Brass	t=0.40
3	OUTER CONTACT(1S~2S)	2	Brass	t=0.40
2	WASHER	2	PBT+GF	UL 94V-0
1	HOUSING	1	PBT+GF	UL 94V-0

Please refer to color and plating combination list.

LTR	PART NAME	Q'TY	MATERIAL	REMARK
120~315	±0.5	DWN	黃健瑋	DATE 2012.03.23
30~120	±0.35	DSND	黃健瑋	DATE 2011.05.10
6~30	±0.22	CHKD	郭素玲	DATE 2012.03.23
BELOW 6	±0.16	APVD	郭遠峰	DATE 2012.03.23

SCALE 2.5/1  
PROJECTION  
UNIT:mm

NAME PIN JACK  
CAT. NO. KM04097BS-\_\_P  
DWN.NO. 1/1  
A-04097BSP 003

DIMENSION TOLERANCE KUNMING ELECTRONICS CO.,LTD.