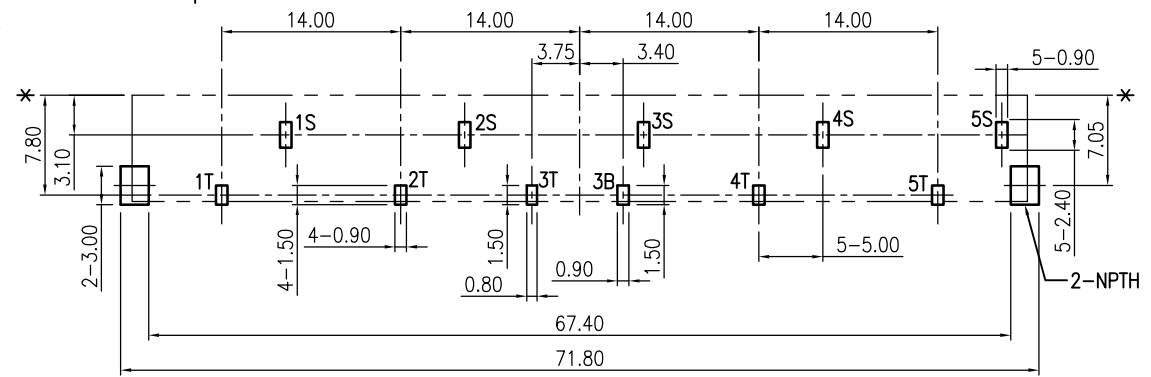
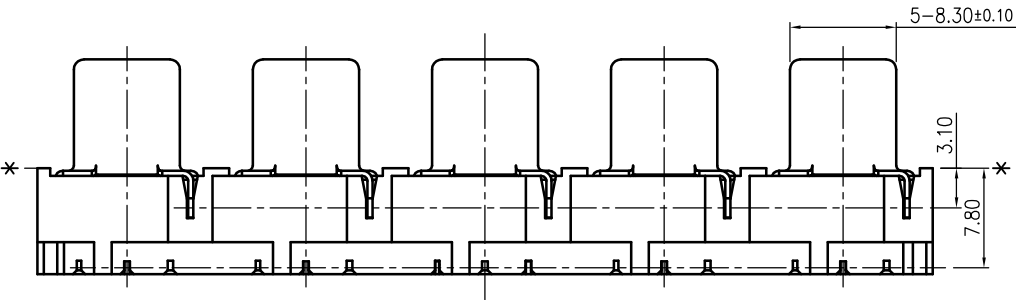
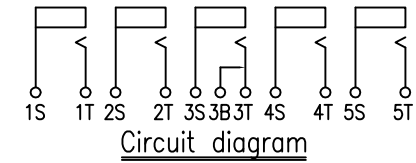
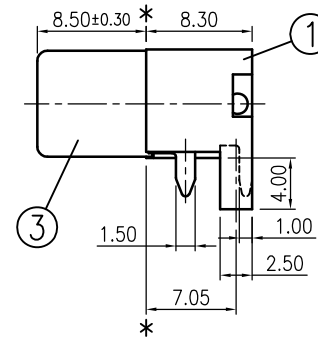
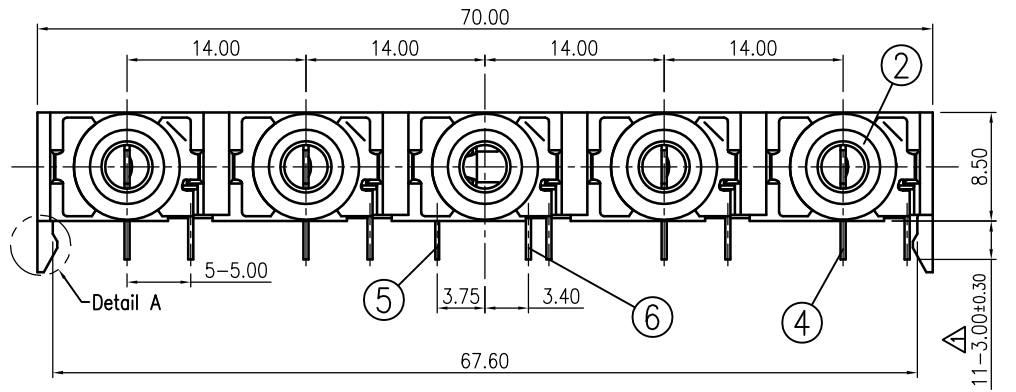
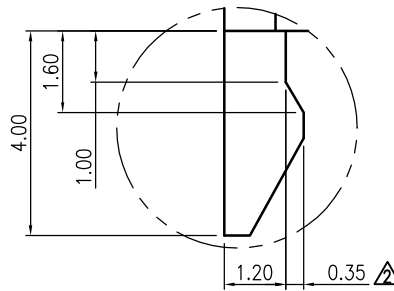


REVISIONS

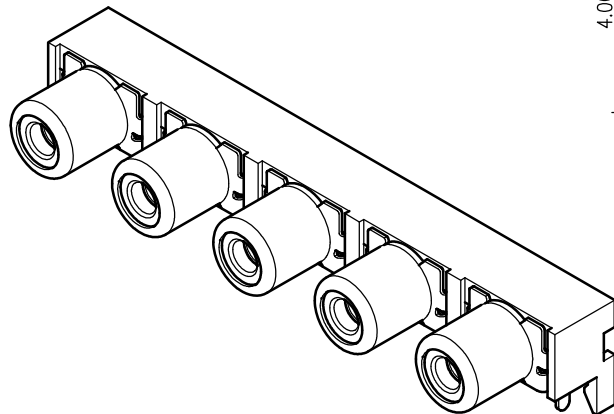
LTR	DESCRIPTION	DATE	REV.	CHKD.	APVD.
△x1	Solder tail is modified.(ECR No.C03120407)	2012.08.01	黃健瑋	郭素玲	郭遠峰
△x1	To modify the dimension of hook.(ECR No.C03130488)	2013.10.16	黃健瑋	郭素玲	郭遠峰



PCB Layout Dimension (Tolerance:±0.05)
(Recommend min. Dimension)(Bottom View)



Detail A
Scale:4:1



6	BREAK TERMINAL(3B)	1	Brass	t=0.40
5	CENTER SPRING(3T)	1	Copper Alloy	t=0.30
4	CENTER CONTACT(1T/2T/4T/5T)	4	Brass	t=0.40
3	OUTER CONTACT(1S~5S)	5	Brass	t=0.40
2	WASHER	5	PBT+GF	UL 94V-0
1	HOUSING	1	PBT+GF	UL 94V-0

Please refer to color and plating combination list.

LTR	PART NAME	Q'TY	MATERIAL	REMARK
120~315	±0.5	DWN	黃健瑋	DATE 2012.03.23
30~120	±0.35	DSND	黃健瑋	DATE 2011.05.06
6~30	±0.22	CHKD	郭素玲	DATE 2012.03.23
BELOW 6	±0.16	APVD	郭素玲	DATE 2012.03.23
DIMENSION	TOLERANCE	KUNMING ELECTRONICS CO.,LTD.		DWN.NO. A-04096CSP

SCALE 1.6/1
PROJECTION
UNIT: mm

NAME PIN JACK
CAT. NO. KM04096CS-__P
DWN.NO. 1/1
A-04096CSP 003