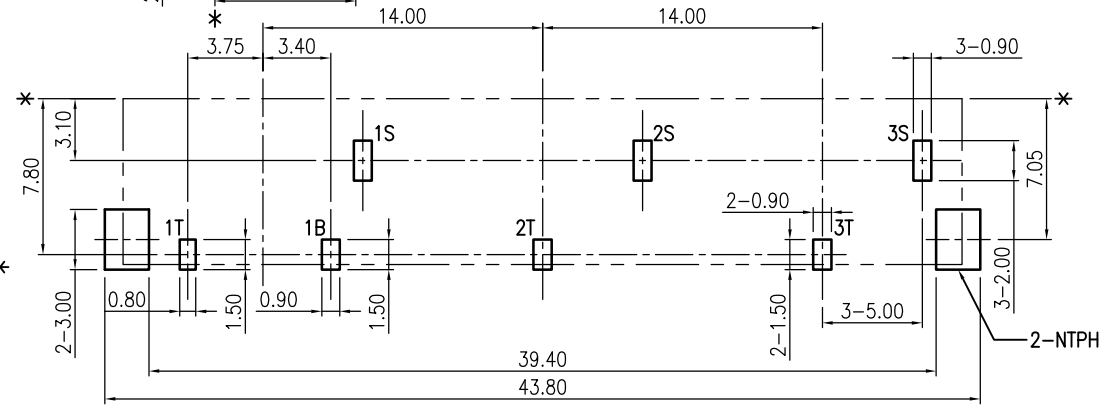
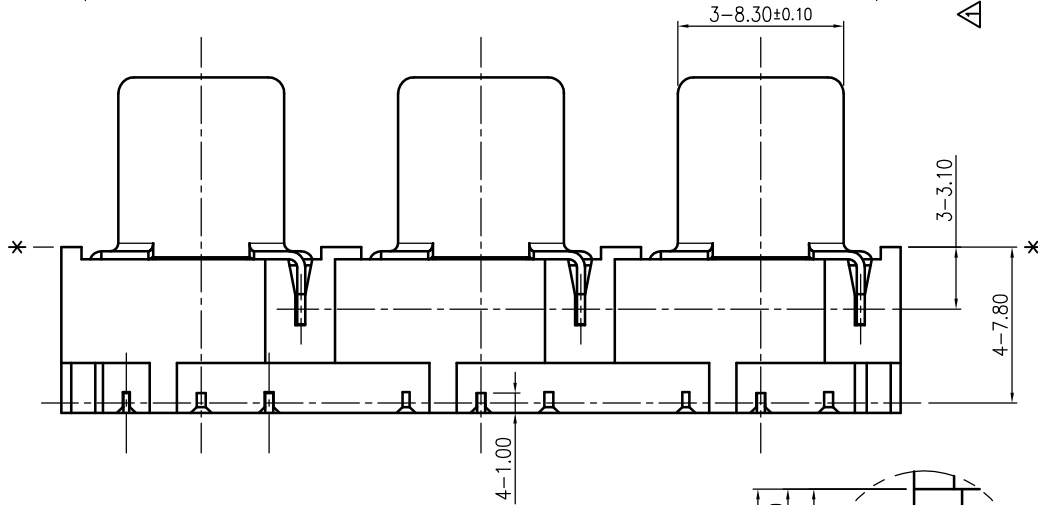
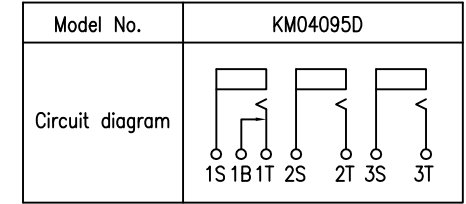
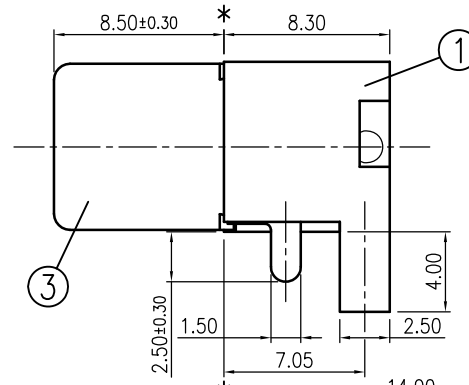
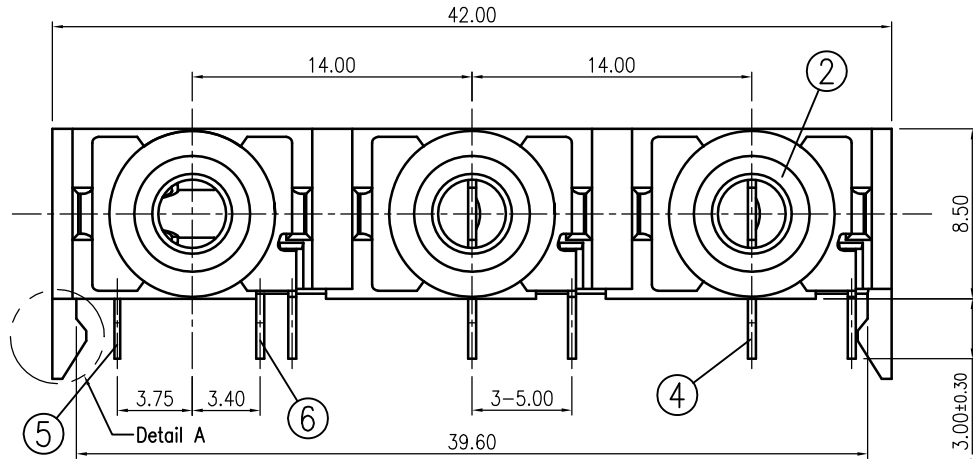
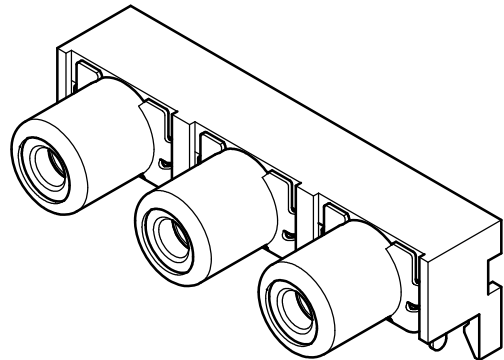
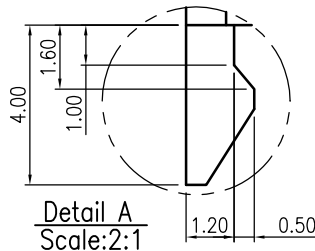


REVISIONS

LTR	DESCRIPTION	DATE	REV.	CHKD.	APVD.
△x1	Solder tail is moified.(ECR No.CO3120407)	2012.06.07	黃健瑋	郭遠峰	郭遠峰



PCB Layout Dimension (Tolerance:±0.10)  
(Recommend min. Dimension)(Bottom View)



6	BREAK TERMINAL(1B)	1	Brass	t=0.40
5	CENTER SPRING(1T)	1	Copper Alloy	t=0.30
4	CENTER CONTACT(2T~3T)	2	Brass	t=0.40
3	OUTER CONTACT(1S~3S)	3	Brass	t=0.40
2	WASHER	3	PBT+GF	UL 94V-0
1	HOUSING	1	PBT+GF	UL 94V-0

Please refer color and plating combination list.

LTR	PART NAME	Q'TY	MATERIAL	REMARK										
120~315	±0.5	DWN	黃健瑋	DATE 2011.08.04										
30~120	±0.35	DSND	黃健瑋	DATE 2011.08.04										
6~30	±0.22	CHKD	郭素玲	DATE 2011.08.04										
BELOW 6	±0.16	APVD	郭遠峰	DATE 2011.08.04										
<table border="1"> <tr> <td>DIMENSION</td> <td>TOLERANCE</td> <td colspan="2">KUNMING ELECTRONICS CO.,LTD.</td> </tr> </table>				DIMENSION	TOLERANCE	KUNMING ELECTRONICS CO.,LTD.		<table border="1"> <tr> <td>NAME</td> <td>PIN JACK</td> </tr> <tr> <td>CAT. NO.</td> <td>KM04095DS-__P</td> </tr> <tr> <td>DWN.NO.</td> <td>A-04095DSP</td> </tr> </table>	NAME	PIN JACK	CAT. NO.	KM04095DS-__P	DWN.NO.	A-04095DSP
DIMENSION	TOLERANCE	KUNMING ELECTRONICS CO.,LTD.												
NAME	PIN JACK													
CAT. NO.	KM04095DS-__P													
DWN.NO.	A-04095DSP													
				1/1										
				002										