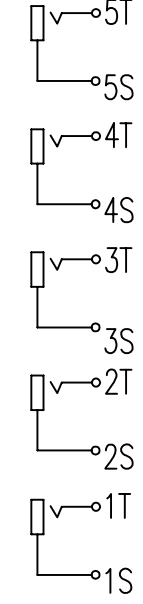
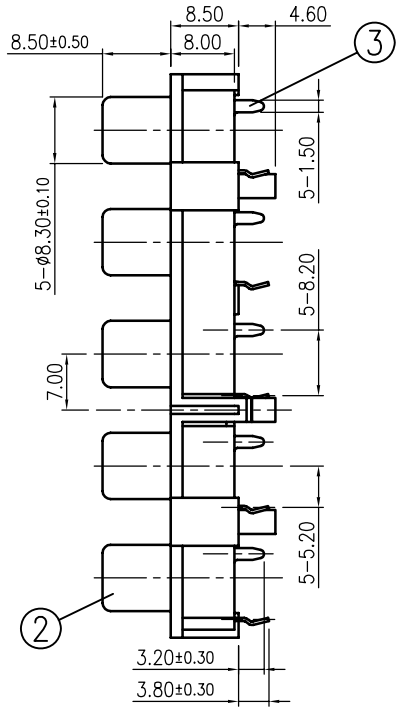
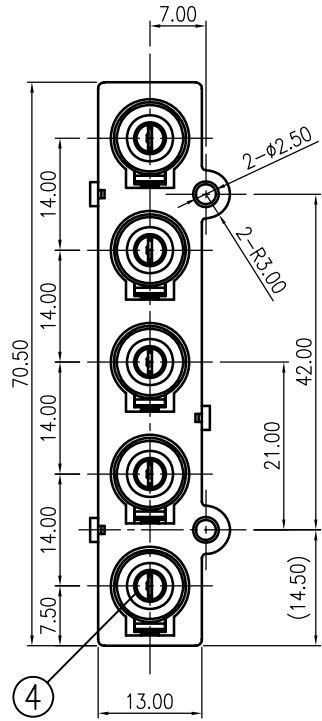
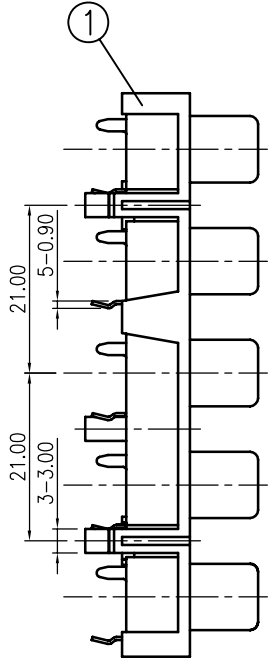
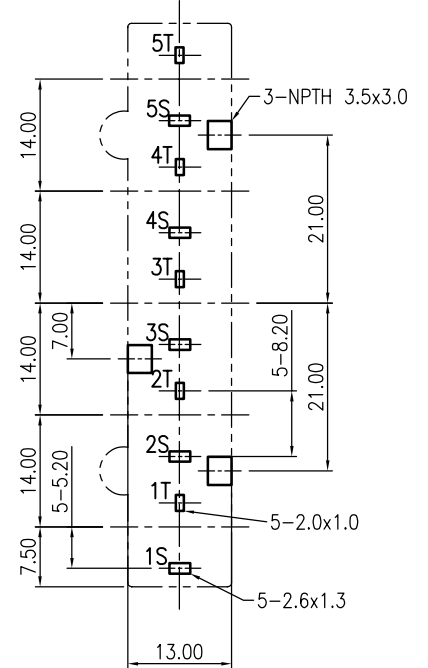


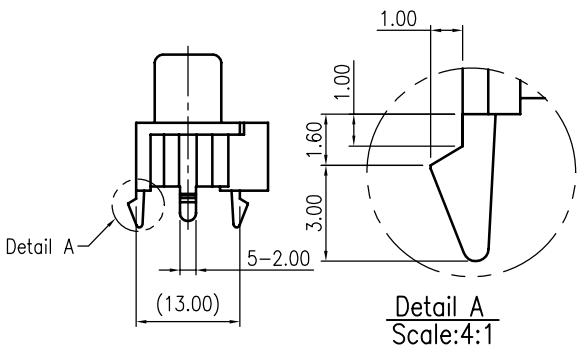
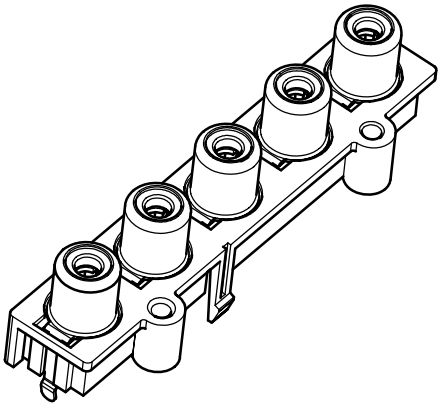
| REVISIONS | | | | | |
|-----------|-------------|------|------|-------|-------|
| LTR | DESCRIPTION | DATE | REV. | CHKD. | APVD. |
| | | | | | |



SCHEMATIC



Recommend PCB (t=1.6/1.2) Layout
P.C.B Layout Dimension(Tolerance:±0.1)
(Recommend min. Dimension)(Bottom View)



| | | | | |
|---|-----------------------|---|-------------|----------|
| 4 | WASHER | 5 | PBT+GF | UL 94V-0 |
| 3 | TERMIANL(1T~5T) | 5 | BRASS | t=0.50 |
| 2 | OUTER CONTACT (1S~5S) | 5 | Ferro Alloy | t=0.40 |
| 1 | HOUSING | 1 | PBT+GF | UL 94V-0 |

Please refer color combination list.

| LTR | PART NO. | QTY | MATERIAL | REMARK |
|---------|----------|------|----------|-----------------|
| 120~315 | ±0.5 | DWN | ANDY | DATE 2009.07.29 |
| 30~120 | ±0.35 | DSND | ANDY | DATE 2009.07.29 |
| 6~30 | ±0.22 | CHKD | BOBY | DATE 2009.07.29 |
| BELOW 6 | ±0.16 | APVD | Larry | DATE 2009.07.29 |

NAME PIN JACK
CAT. NO. KM04088BSF-__P02

| DIMENSION | TOLERANCE | KUNMING ELECTRONICS CO.,LTD. | | | DWN.NO. | 1/1 |
|-----------|-----------|------------------------------|--|--|--------------|-----|
| | | | | | A-04088BSF-2 | 001 |