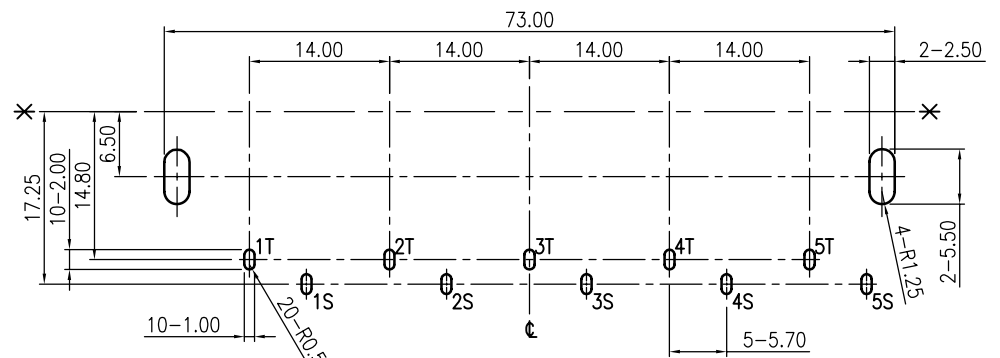
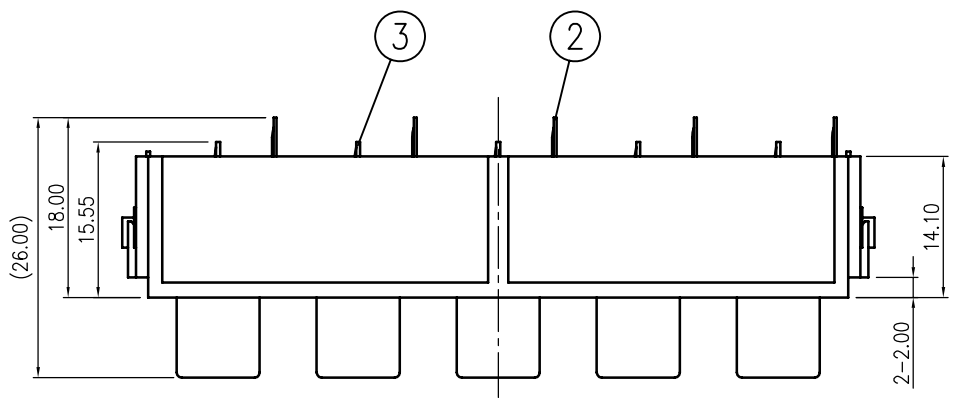
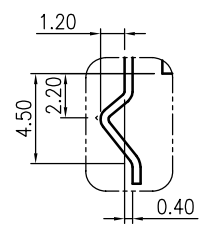
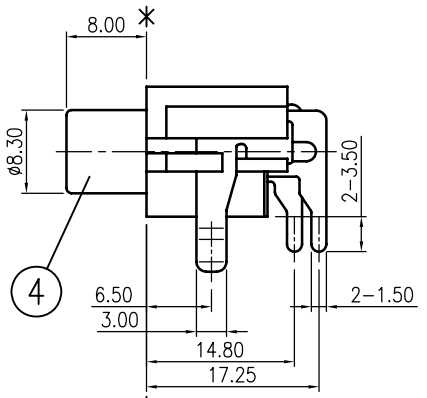
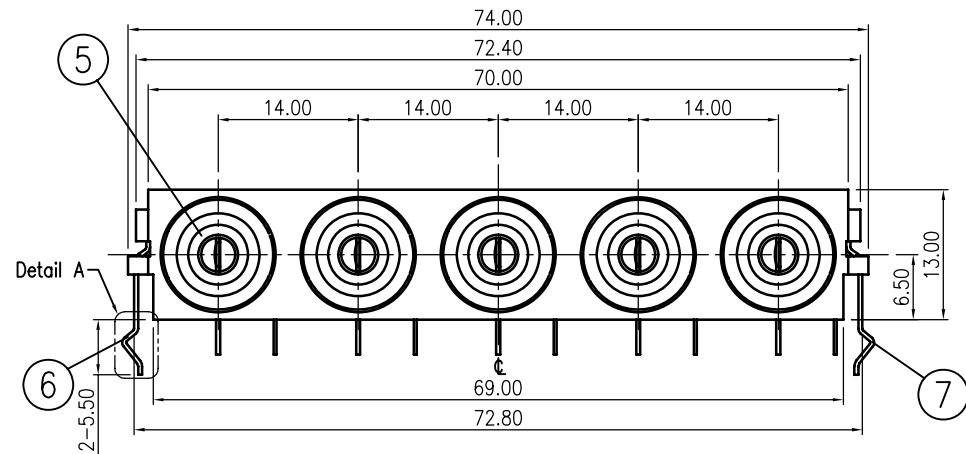


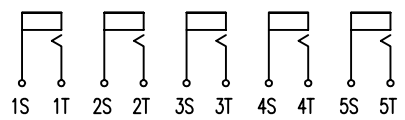
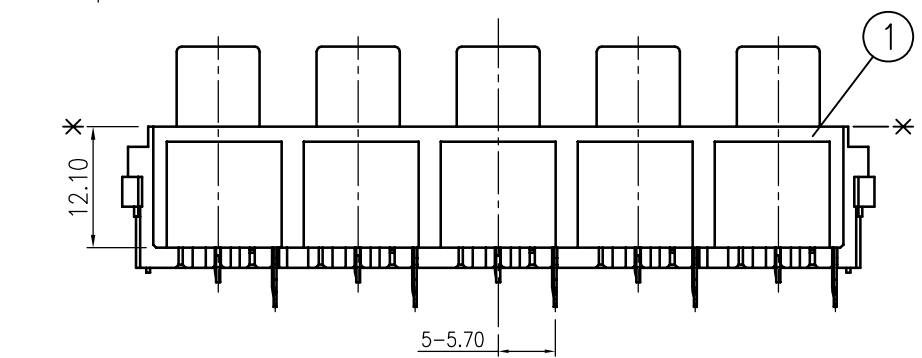
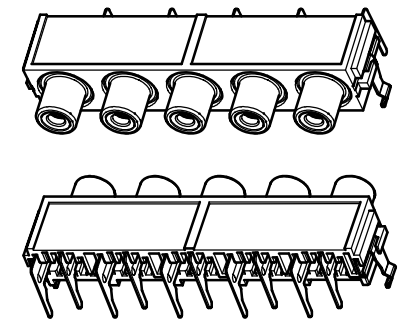
REVISIONS					
LTR	DESCRIPTION	DATE	REV.	CHKD.	APVD.



P.C.B Layout Dimension(Tolerance:±0.1)  
(Recommend min. Dimension)(Bottom View)



Detail A  
Scale:2:1



SCHEMATIC

7	Clip(R)	1	Copper Alloy	t=0.4
6	Clip(L)	1	Copper Alloy	t=0.4
5	Washer	5	PBT+GF	UL 94V-0
4	Outer Contact	5	Ferro Alloy	t=0.3
3	Center Contact (1T~5T)	5	Brass	t=0.4
2	Terminal(1S~5S)	5	Brass	t=0.3
1	Housing	1	PBT+GF	UL 94V-0

Please refer color combination list.

LTR	PART NO.	QTY	MATERIAL	REMARK
120~315	±0.5	DWN	Paul Chiang	DATE 2009.08.18
30~120	±0.35	DSND	Paul Chiang	DATE 2009.08.18
6~30	±0.22	CHKD	Jacky	DATE 2009.08.18
BELOW 6	±0.16	APVD	Dick Kuo	DATE 2009.08.18
DIMENSION	TOLERANCE	KUNMING ELECTRONICS CO.,LTD.		DWN.NO. A-04086BSFP
				1/1
				001

SCALE 1.25/1  
PROJECTION  
UNIT: mm

NAME Pin Jack  
CAT. NO. KM04086BSF-\_\_P  
DWN.NO. A-04086BSFP