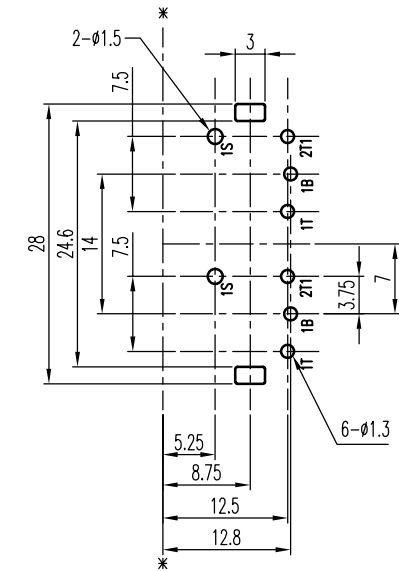
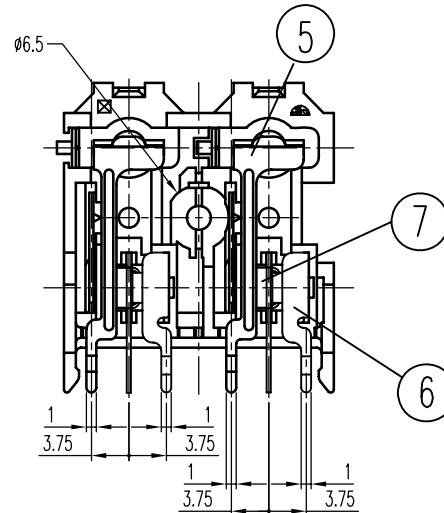
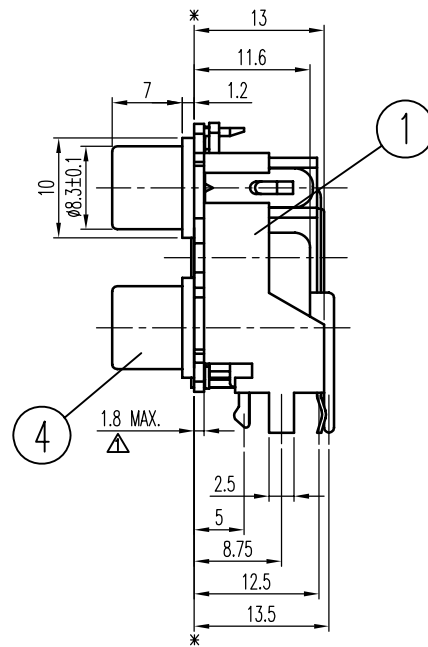
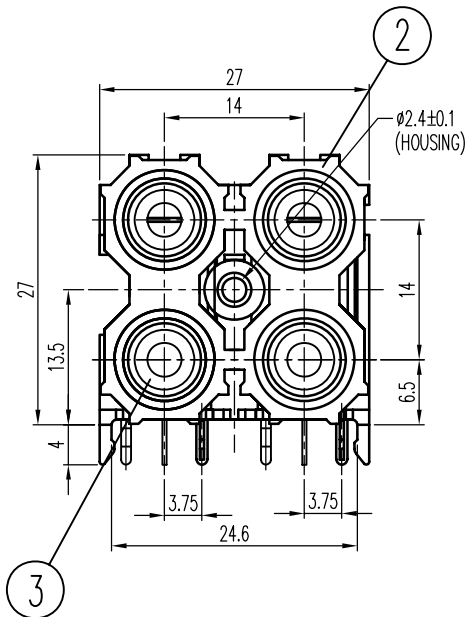
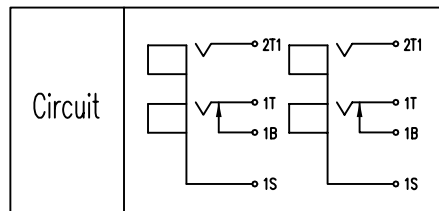
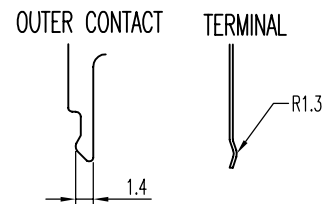
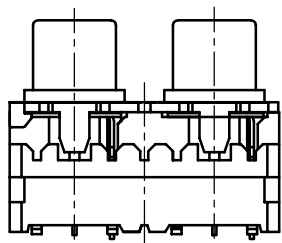


REVISIONS

LTR	DESCRIPTION	DATE	REV.	CHKD.	APVD.
△x 1	新增尺寸標注	2005.04.01	ANDERSON		JOHNSON
△x 0	請參照CEN080053	2008.10.14	AgersZ	ALLAN	STANLY
△x 1	依簽呈字號C803001進行修正	2008.10.14	AgersZ	ALLAN	STANLY
△x 1	材質變更(CN-040038-A)	2008.10.14	AgersZ	ALLAN	STANLY



P.C.B Layout Dimension (Tolerance: ± 0.1)
(Recommend min. Dimension) (Bottom view)



QTY	PART NO.	MATERIAL	REMARK
2	SHUNT SPRING	Brass , t=0.4	Please refer color combination list
2	TIP SPRING	Copper Alloy , t=0.3	
2	TERMINAL	Brass , t=0.4	
2	OUTER CONTACT	Brass , t=0.4	
4	WASHER	POM △, UL-94HB	
1	COVER	ABS , UL-94HB	
1	HOUSING	ABS , UL-94HB	

LTR	PART NO.	QTY	MATERIAL	REMARK
120~315	±0.5	DWN	ANDERSON	DATE 2005.04.01
30~120	±0.35	DSND	TANGXL	DATE 2005.03.10
6~30	±0.22	CHKD	JOHNSON	DATE 2005.04.01
BELOW 6	±0.16	APVD	ERIC	DATE 2005.04.01

DIMENSION	TOLERANCE	KUNMING ELECTRONICS CO.,LTD.		DWN.NO.	1/1
				A-04049D	C

UNLESS OTHERWISE SPECIFIED, TOLERANCE ON DECIMAL: ±0.3 ANGLES: ±5°