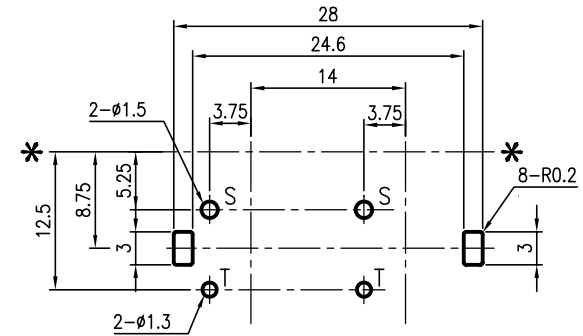
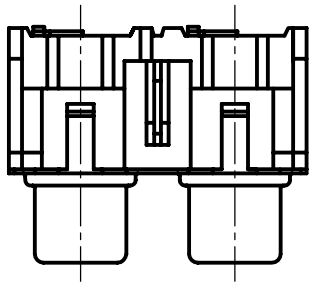
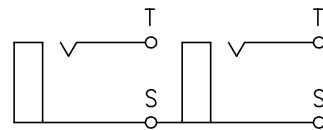
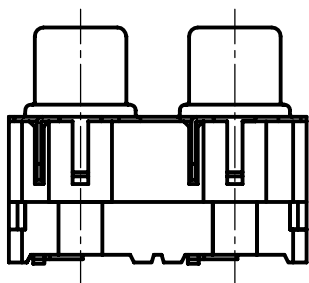
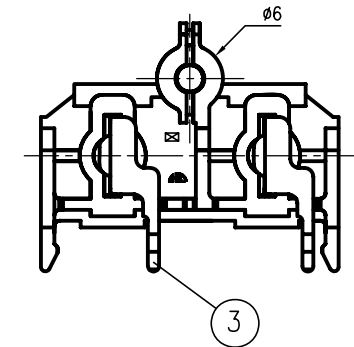
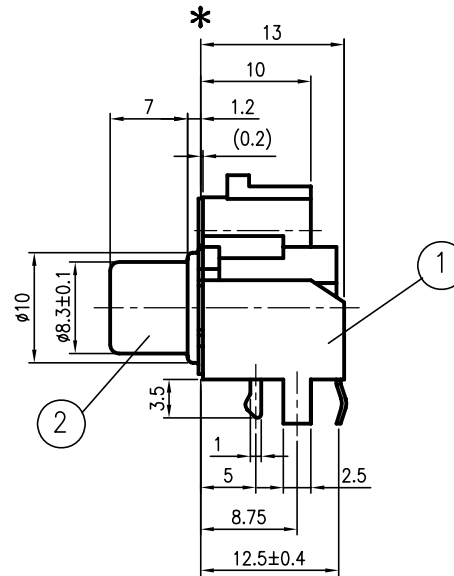
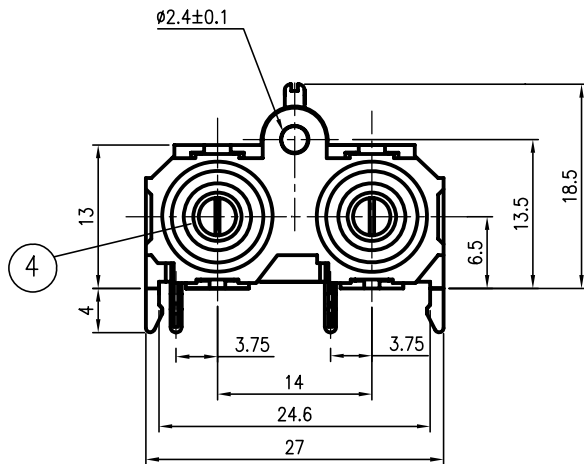


REVISIONS				
LTR	DESCRIPTION	DATE	REVISED	APPROVED



P.C.B Layout Dimension (Tolerance:±0.1)  
(Recommend min.Dimension)(bottom view)



回路圖

4	WASHER	2	POM	UL-94HB	Please refer color combination list.	
3	TERMINAL	2	C2680	t=0.4		
2	OUTER CONTACT	1	C2680	t=0.4		
1	HOUSING	1	PBT	UL-94V-0		
LTR	PART NO.	QTY	MATERIAL	REMARK		
DSND	ISABEL	DATE	2001.12.25	SCALE /	NAME	
DWN	PATRICK	DATE	2007.06.12	PROJECTION ⊕ ⊖	PIN JACK	
CHKD	DICK	DATE	2007.06.12		UNIT: mm	CAT. NO.
APVD	DICK	DATE	2007.06.12			KM04032_-_P
KUNMING ELECTRONICS CO.,LTD.					DWN.NO.	1/1
					A-04032P	001

UNLESS OTHERWISE SPECIFIED, TOLERANCE ON DECIMAL: ±0.3

ANGLES: ±5°