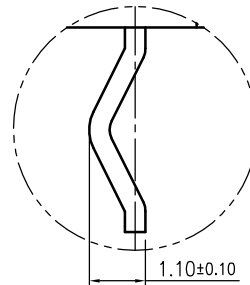
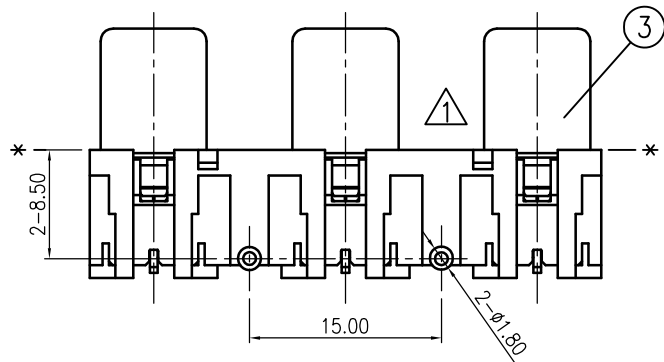
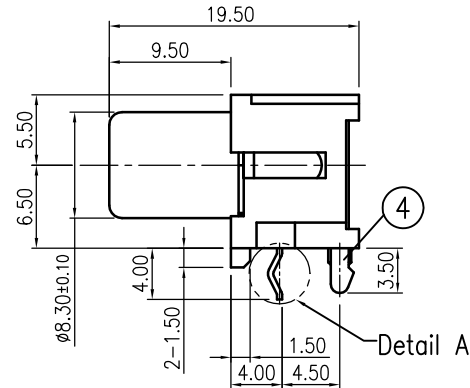
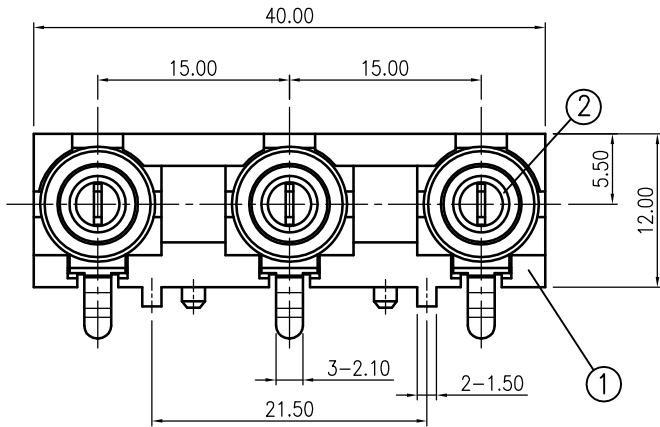
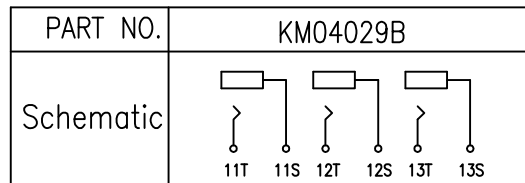
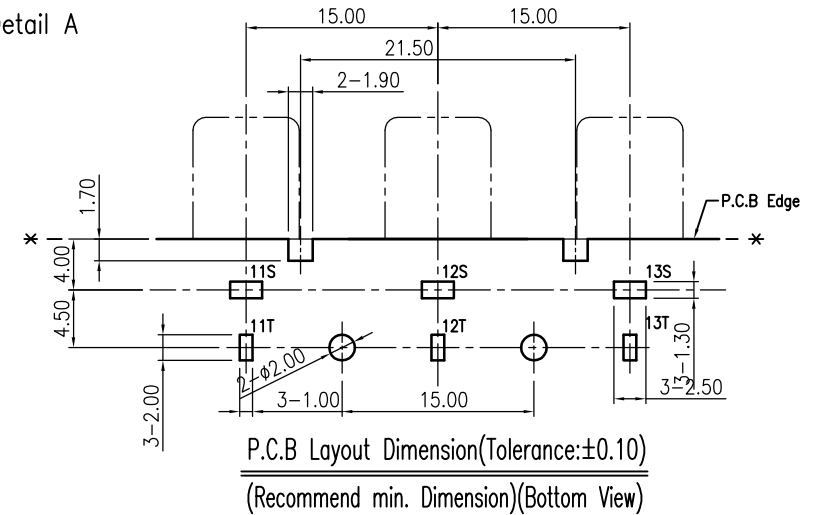


REVISIONS

| LTR | DESCRIPTION | DATE | REV. | CHKD. | APVD. |
|-----|-------------------------------------|------------|---------|-------|-------|
| △x1 | 依據C03090101圖面變更 | 2009.06.24 | 李阮龍 | 郭遠峰 | 郭遠峰 |
| △x1 | 依據呈C803001設變圖面 | 2009.06.24 | 李阮龍 | 郭遠峰 | 郭遠峰 |
| △x1 | Modify the drawing ECR No.C03110311 | 2011.05.17 | 陳凌霄/郭益平 | 張啓濤 | 郭素玲 |



△3 Detail A
Scale:4:1



| | | | | |
|---|-------------------------|---|--------|----------|
| 4 | TERMINAL (11T~13T) | 3 | Brass | t=0.60 |
| 3 | OUTER CONTACT (11S~13S) | 3 | Brass | t=0.40 |
| 2 | WASHER | 3 | POM | UL 94V-0 |
| 1 | HOUSING | 1 | PBT+GF | UL 94V-0 |

Please refer color and plating combination list.

| LTR | PART NAME | Q'TY | MATERIAL | REMARK |
|---------|-----------|------|----------|-----------------|
| 120~315 | ±0.5 | DWN | 賴黎明 | DATE 2007.12.14 |
| 30~120 | ±0.35 | DSND | 賴黎明 | DATE 2007.12.14 |
| 6~30 | ±0.22 | CHKD | 王勇 | DATE 2007.12.14 |
| BELOW 6 | ±0.16 | APVD | 郭遠峰 | DATE 2007.12.14 |

| | | | |
|------------|--------------|------|----------|
| SCALE | 1.6/1 | NAME | PIN JACK |
| PROJECTION | | | |
| CAT. NO. | KM04029BP-__ | | |
| DWN.NO. | A-04029BP | | |

| | | | | |
|-----------|-----------|------------------------------|----------------------|-----|
| DIMENSION | TOLERANCE | KUNMING ELECTRONICS CO.,LTD. | DWN.NO. A-04029BP | 1/1 |
| | | | | C |

UNLESS OTHERWISE SPECIFIED, TOLERANCE ON DECIMAL:±0.30 ANGLES:±5°