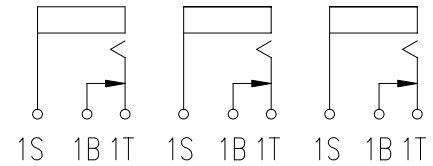
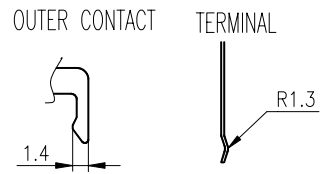
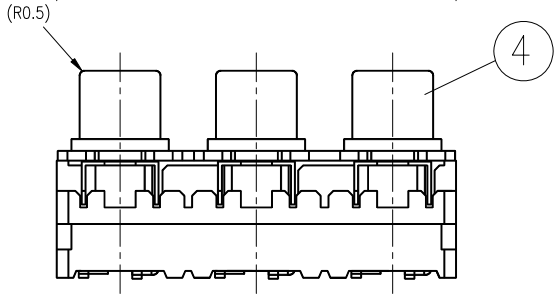
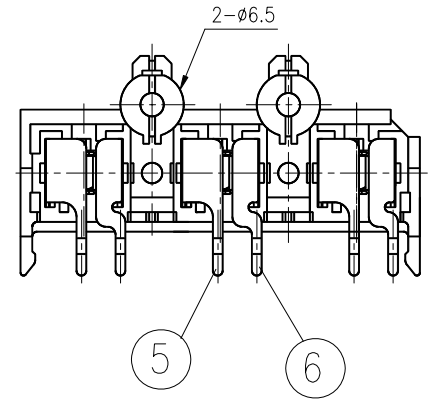
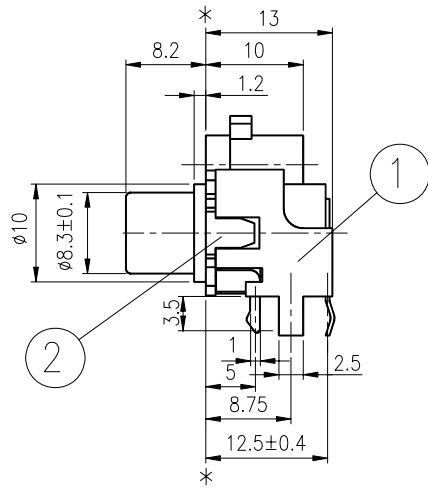
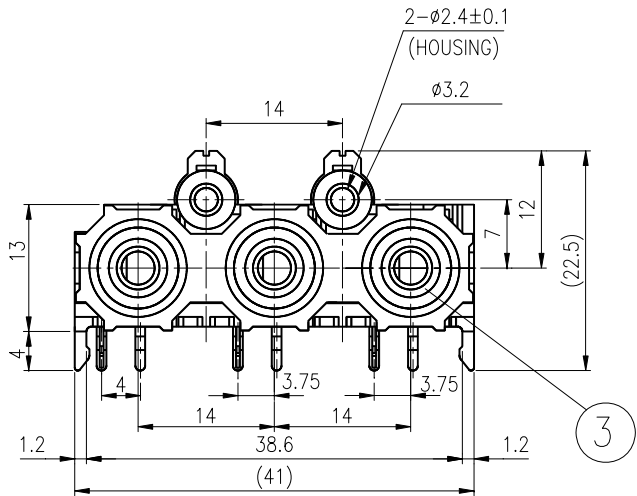
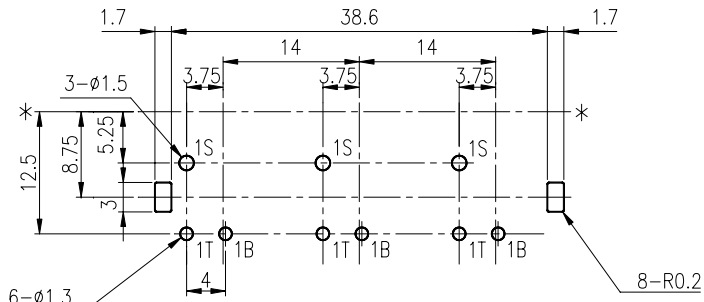


REVISIONS				
LTR	DESCRIPTION	DATE	REVISED	APPROVED



Circuit



PCB. HOLE LAYOUT (TOLERANCE:±0.1)
BOTTOM VIEW

6	TIP SPRING	3	C5210	t=0.3	Please refer color combination list.
5	SHUNT SPRING	3	C2680	t=0.4	
4	OUTER CONTACT	3	C2680	t=0.4	
3	WASHER	3	POM	UL-94HB	
2	COVER	1	ABS	UL-94HB	
1	HOUSING	1	ABS	UL-94HB	
LTR	PART NAME	QTY	MATERIAL		REMARK
DWN	CHILLBON	DATE	2004.02.02	SCALE	NAME
DSND	CHILLBON	DATE	2004.02.02	PROJECTION	PIN JACK
CHKD	JOHNSON	DATE	2004.02.03		CAT. No.
APVD	KUNG	DATE	2004.02.03		UNIT : mm

UNLESS OTHERWISE SPECIFIED, TOLERANCE ON DECIMAL:±0.3 ANGLES:±5°

KUNMING ELECTRONICS CO., LTD.

DWN. No.	1/1
A-04026A	A