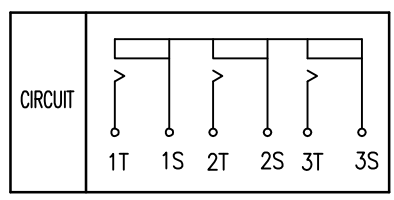
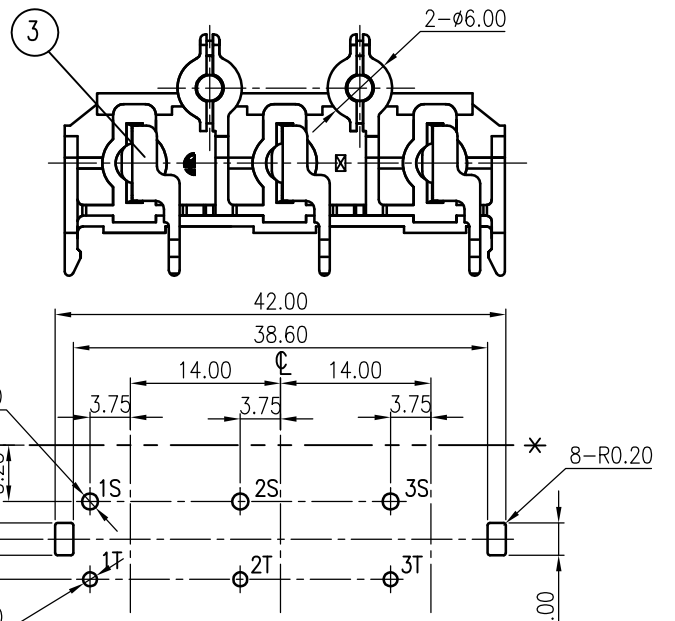
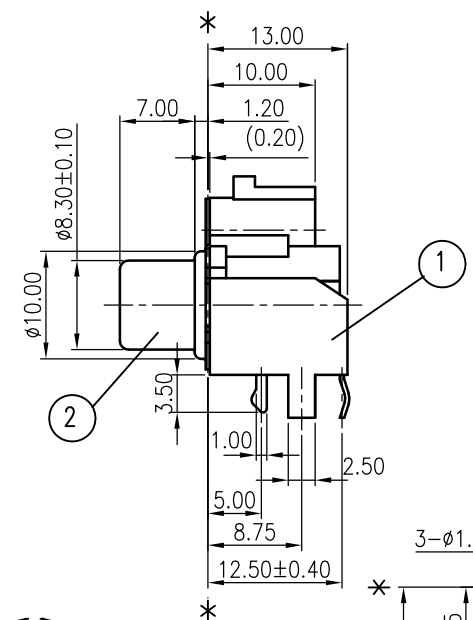


DETAIL A
SCALE 2:1



REVISIONS					
LTR	DESCRIPTION	DATE	REV.	CHKD.	APVD.
△x1	To revise the drawing by official letter(C803001)	2010.06.15	AILINA	Ledeng/ALLAN	Dick Kuo
△x1	To correct mistake of drawing(top view)(C03100208)	2010.06.15	AILINA	Ledeng/ALLAN	Dick Kuo
△x1	Add local view(C03100208)	2010.06.15	AILINA	Ledeng/ALLAN	Dick Kuo



P.C.B Layout Dimension(Tolerance:±0.1)
(Recommend min.Dimension)(BOTTOM view)

LTR	PART NAME	QTY	MATERIAL	REMARK
4	WASHER	3	POM, UL 94HB	Please refer color combination list.
3	TERMINAL	3	BRASS, t=0.4	
2	OUTER CONTACT	1	BRASS, t=0.4	
1	HOUSING	1	PBT+GF, UL 94V-0	

120~315	±0.5	DWN	PATRICK	DATE	2007.06.12	SCALE	N/A	NAME	PIN JACK	
30~120	±0.35	DSND	LEO	DATE	2001.09.26	PROJECTION		CAT NO.	KM04025-_P	
6~30	±0.22	CHKD	DICK	DATE	2007.06.12	UNIT:	mm	DWN.NO.	A-04025P	1/1
BELOW 6	±0.16	APVD	DICK	DATE	2007.06.12					B
DIMENSION TOLERANCE		KUNMING ELECTRONICS CO.,LTD.								

UNLESS OTHERWISE SPECIFIED, TOLERANCE ON DECIMAL: ±0.3 ANGLES: ±5°