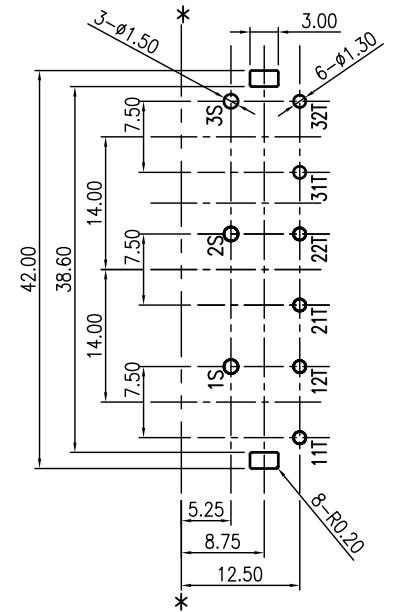
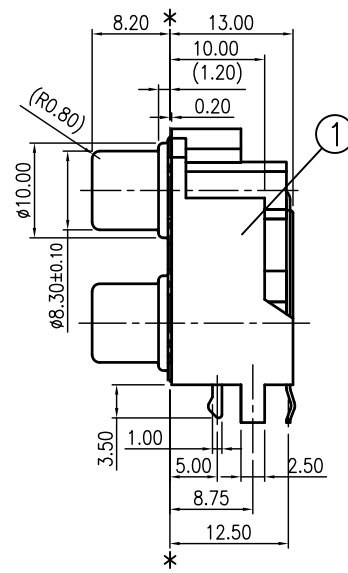
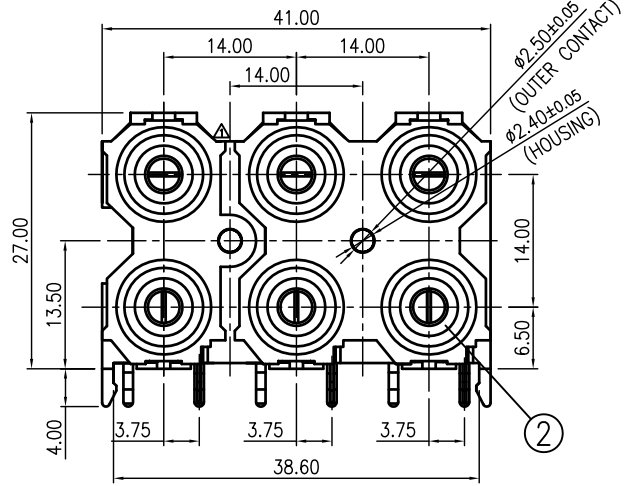
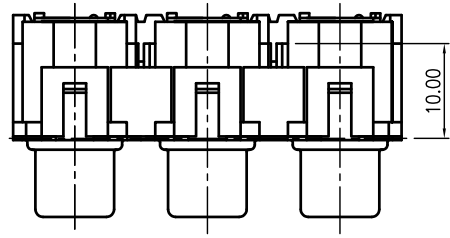
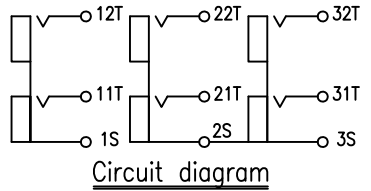
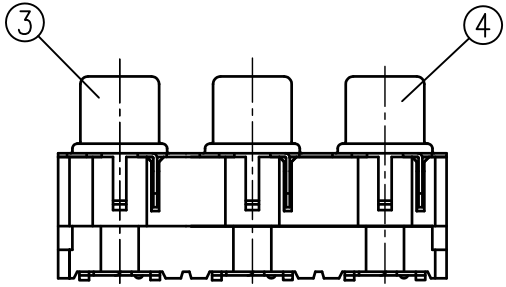
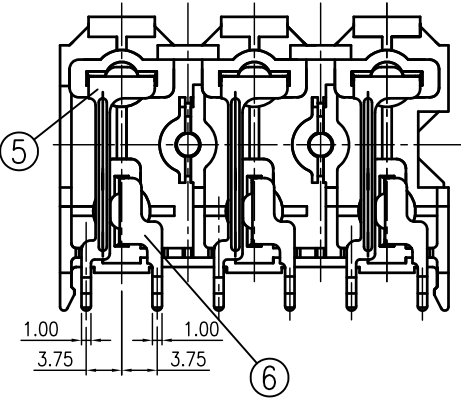


A
B
C
D
E

REVISIONS					
LTR	DESCRIPTION	DATE	REV.	CHKD.	APVD.
\triangle x1	To correct mistake of drawing.(C03140506)	2014.04.22	張啟濤		曾長進
\triangle x1	To revise the drawing by official letter.(C803001)	2014.04.22	郭益平	張啟濤	曾長進



PCB Layout Dimension (Tolerance: ±0.10)
(Recommend min. Dimension)(Bottom View)



6	TERMINAL(12-32T)	3	Brass	t=0.40
5	TERMINAL(11-31T)	3	Brass	t=0.40
4	OUTER CONTACT(2S-3S)	1	Brass	t=0.40
3	OUTER CONTACT(1S)	1	Brass	t=0.40
2	WASHER	6	POM	UL 94HB
1	HOUSING	1	PBT+GF	UL 94V-0

Please refer to color and plating combination list.

LTR	PART NAME	Q'TY	MATERIAL	REMARK
120~315	±0.50	DWN	廖秋妹	DATE 2006.05.19
30~120	±0.35	DSND	廖秋妹	DATE 2006.05.19
6~30	±0.22	CHKD	夏正雄	DATE 2006.05.19
BELOW 6	±0.16	APVD	楊仲民	DATE 2006.05.19

SCALE	PROJECTION	CAT. NO.
1.25/1		KM04024P
		DWN.NO.
		A-04024P

DIMENSION	TOLERANCE	KUNMING ELECTRONICS CO.,LTD.			1/1
					C

UNLESS OTHERWISE SPECIFIED, TOLERANCE ON DECIMAL: ±0.3 ANGLES: ±5°

SONY specifies the raw material is SS-00259 the latest version of document requests, and purchased from the SONY specified raw materials suppliers.