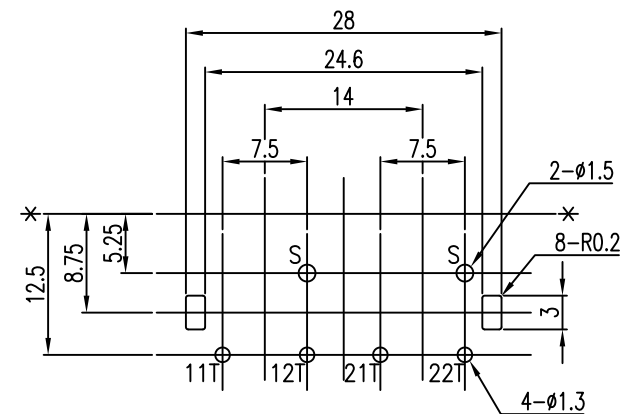
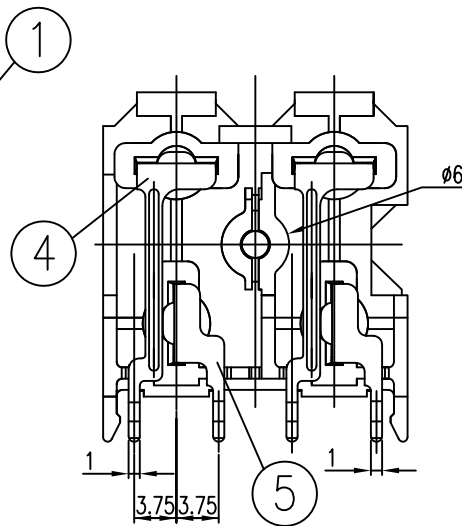
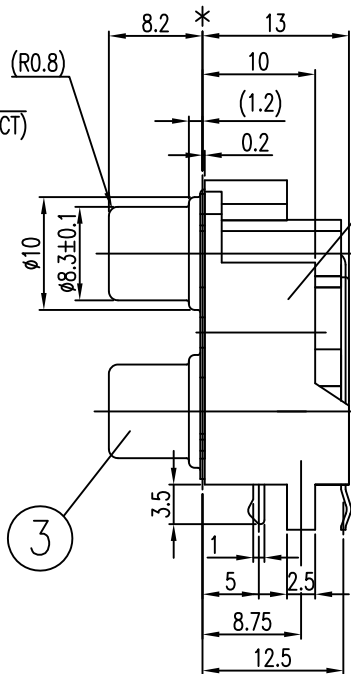
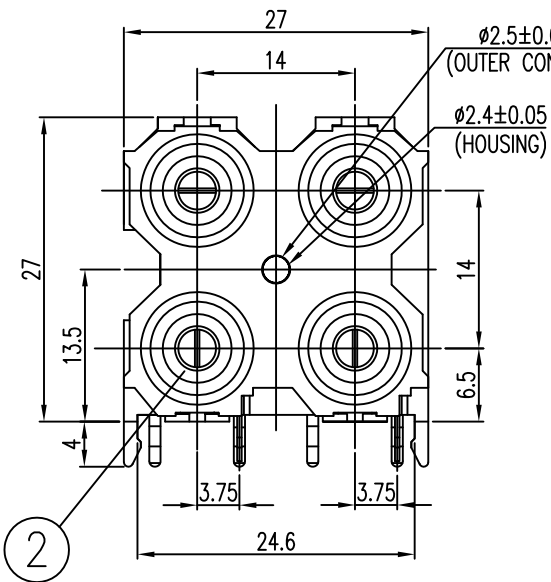
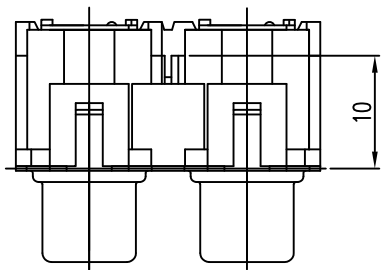
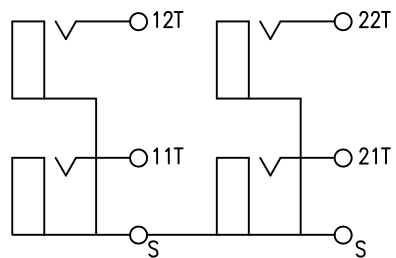
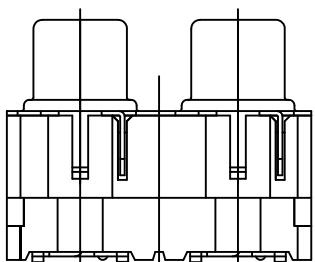


REVISIONS				
LTR	DESCRIPTION	DATE	REVISED	APPROVED



P.C.B Layout Dimension (Tolerance:±0.1)  
(Recommend min.Dimension)(bottom view)



迴路圖

5	TERMINAL	2	C2680	t=0.4	Please refer color combination list.
4	TERMINAL	2	C2680	t=0.4	
3	OUTER CONTACT	1	C2680	t=0.4	
2	WASHER	4	POM		
1	HOUSING	1	PBT+GF		
LTR	PART NAME	QTY	MATERIAL		REMARK
DWN	<i>OILIN</i>	DATE	2006.05.19	SCALE /	NAME
DSND	<i>OILIN</i>	DATE	2006.05.19	PROJECTION	PIN JACK
CHKD	<i>JOHNSON</i>	DATE	2006.05.19	UNIT: mm	CAT. NO.
APVD	<i>Eric</i>	DATE	2006.05.19		KM04023P
KUNMING ELECTRONICS CO.,LTD.					DWN.NO.
					A-04023P
					1/1
					A

UNLESS OTHERWISE SPECIFIED, TOLERANCE ON DECIMAL: ±0.3 ANGLES: ±5°