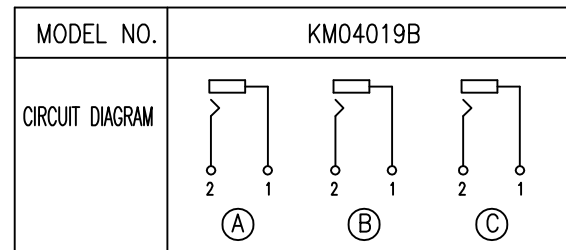
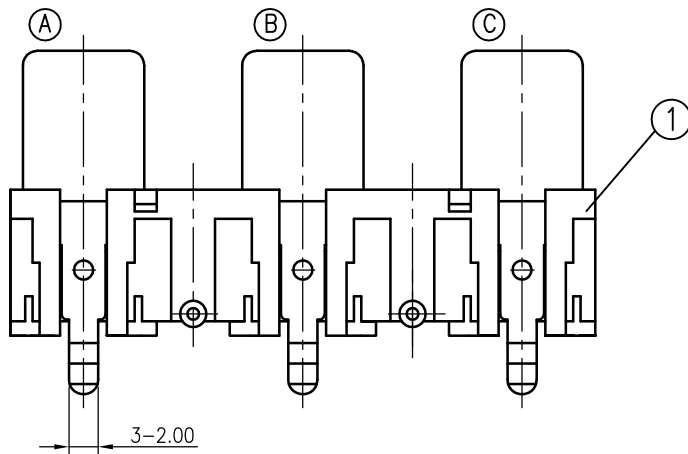
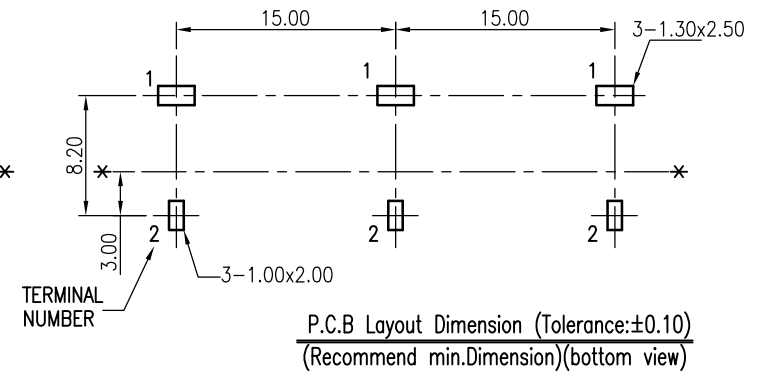
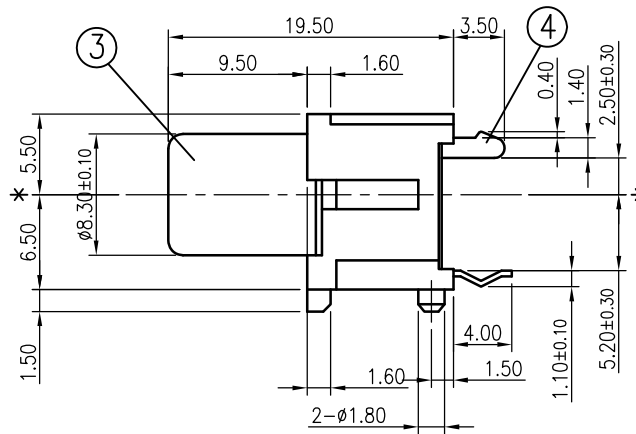
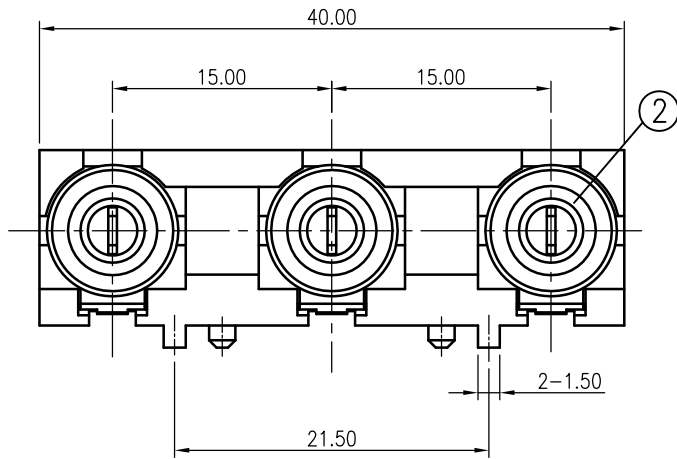


REVISIONS

LTR	DESCRIPTION	DATE	REV.	CHKD.	APVD.
△x1	顏色及鍍層顏色料號表	2004.01.15	張偉新		夏正雄
△x2	Change the materail,ABS → PBT+GF	2006.04.07	闕雄浪		夏正雄
△x0	Modify the drawing (ECR No.C03110311)	2011.07.01	汪 鑫	張啓濤	郭素玲
△x1	To revise the drawing by official letter(C803001)	2011.07.01	汪 鑫	張啓濤	郭素玲



QTY	PART NAME	MATERIAL	REMARK
3	4 TERMINAL	Brass t=0.60	△ Please refer color and plating combination list.
3	3 OUTER CONTACT	Brass t=0.40	
3	2 WASHER	△POM UL 94-HB	
1	1 HOUSING	△PBT+GF UL 94V-0	

DIMENSION	TOLERANCE	LTR	PART NAME	Q'TY	MATERIAL	DATE	SCALE	PROJECTION	UNIT: mm	REMARK
120~315	±0.5	DWN	劉望全			2006.04.08	N/A			NAME PIN JACK CAT. NO. KM04019B-_ DWN.NO. A-04019B
30~120	±0.35	DSND	闕雄浪			2006.04.07				
6~30	±0.22	CHKD	夏正雄			2006.04.11				
BELOW 6	±0.16	APVD	楊仲民			2006.04.11				
KUNMING ELECTRONICS CO.,LTD.										1/1
										D

UNLESS OTHERWISE SPECIFIED, TOLERANCE ON DECIMAL:±0.30 ANGLES: ±5°