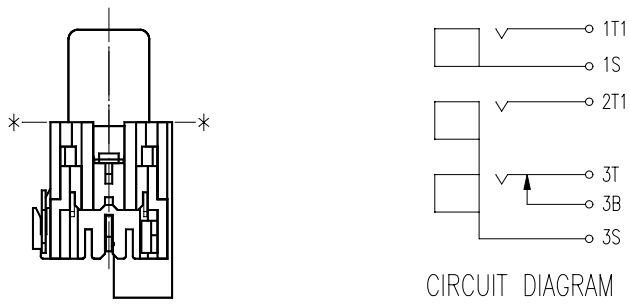
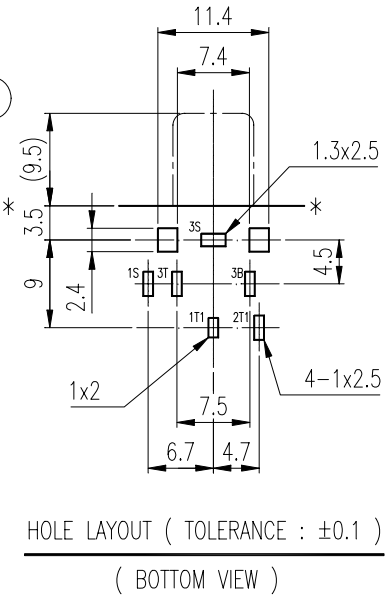


REVISIONS				
LTR	DESCRIPTION	DATE	REVISED	APPROVED
△x1	銅殼外觀錯誤,更正	2001.02.26	STEVEN	JOHNSON
△x1	顏色及鍍層表示說明改參照顏色料號圖	2004.03.30	JOLLY	JOHNSON



8	TERMINAL	1	C2680	t=0.6	(1T1)
7	TERMINAL	1	C2680	t=0.6	(2T1)
6	SHUNT SPRING	1	C2680	t=0.4	(3B)
5	TIP SPRING	1	C5212	t=0.3	(3T)
4	OUTER CONTACT	1	SPCC	t=0.4	(1S)
3	OUTER CONTACT	1	SPCC	t=0.4	(3S)
2	WASHER	3	POM	UL-94HB	
1	HOUSING	1	NORYL	UL-94V-1	

△Please refer color combination list.

LTR	PART NAME	QTY	MATERIAL	REMARK
DSND	H.P.LIU	DATE	1999.05.25	NAME PIN JACK CAT. No. KM04015D - Z DWN. No. A-04015DZ
DWN	JOLLY	DATE	2004.03.30	
CHKD	JOHNSON	DATE	2004.03.31	
APVD	JOHNSON	DATE	2004.03.31	

3RD ANGLE PROJECTION

UNIT : mm

UNLESS OTHERWISE SPECIFIED, TOLERANCE ON DECIMAL:±0.3

ANGLES:±5°

KUNMING ELECTRONICS CO., LTD.

1/1
B