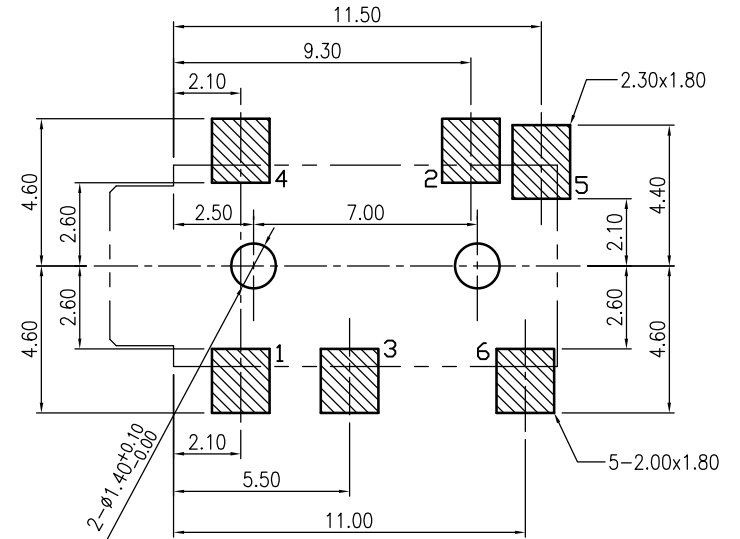
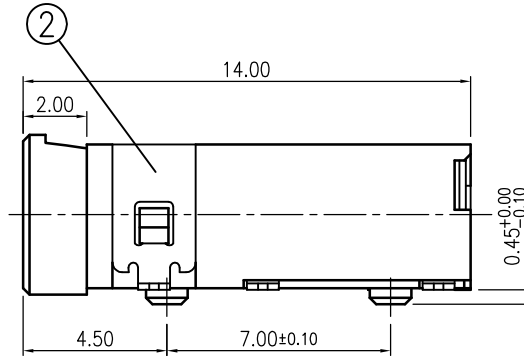
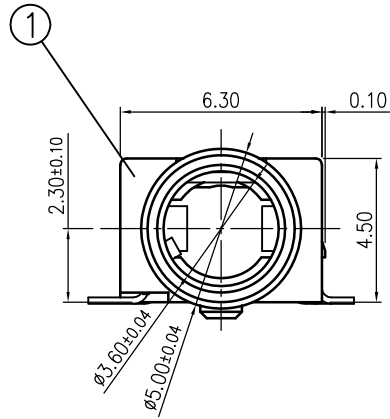
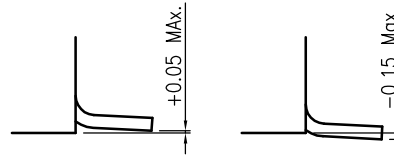


REVISIONS

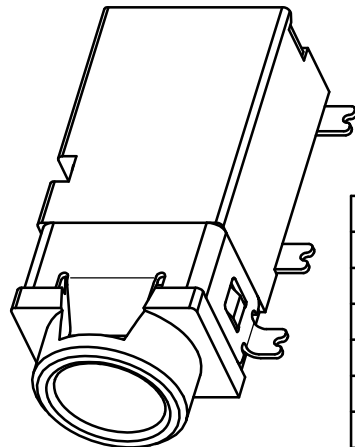
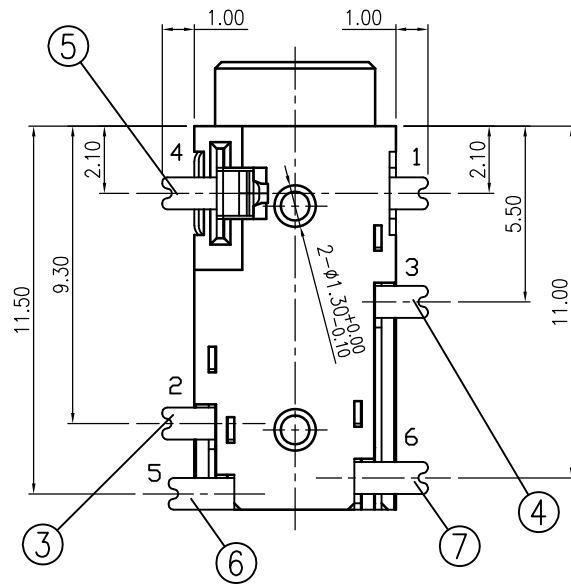
LTR	DESCRIPTION	DATE	REV.	CHKD.	APVD.
△x1	To revise the drawing by official letter(C0803001)	2010.02.02	PATRICK	HELEN	DICK



PCB Layout Dimension (Tolerance:±0.10)
(Recommend min. Dimension)(Top View)

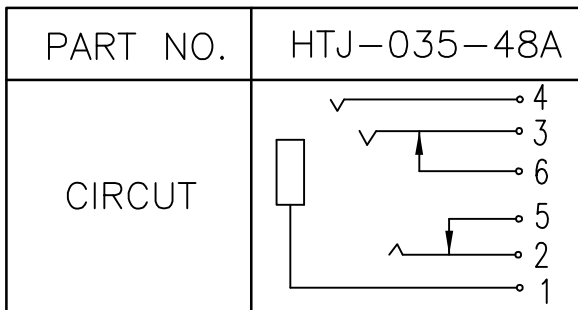


All Pin terminals must keep Max 0.15 coplanarity



LTR	PART NAME	Q'TY	MATERIAL
7	BREAK TERMINAL(6)	1	Copper Alloy t=0.20
6	BREAK TERMINAL(5)	1	Copper Alloy t=0.20
5	EARTH SPRING (4)	1	Copper Alloy t=0.20
4	TRANSFER SPRING(3)	1	Copper Alloy t=0.20
3	TIP SPRING (2)	1	Copper Alloy t=0.20
2	RING SPRING (1)	1	Copper Alloy t=0.20
1	HOUSING	1	PA9T+GF UL 94V-0

Please Refer Color Combination List.



DIMENSION	TOLERANCE	LTR	PART NAME	Q'TY	MATERIAL	SCALE	PROJECTION	UNIT: mm
120~315	±0.5	DWN	PATRICK	DATE	2007.12.18	4/1		mm
30~120	±0.35	DSND	ANSEN	DATE	2004.12.24			
6~30	±0.22	CHKD	JOHNSON	DATE	2007.12.19			
BELOW 6	±0.16	APVD	DICK	DATE	2007.12.19			

NAME Ø3.5MINIATURE JACK	
CAT. NO. HTJ-035-48A_S1	
DWN.NO. A-03548AS1	1/1 B

KUNMING ELECTRONICS CO.,LTD.