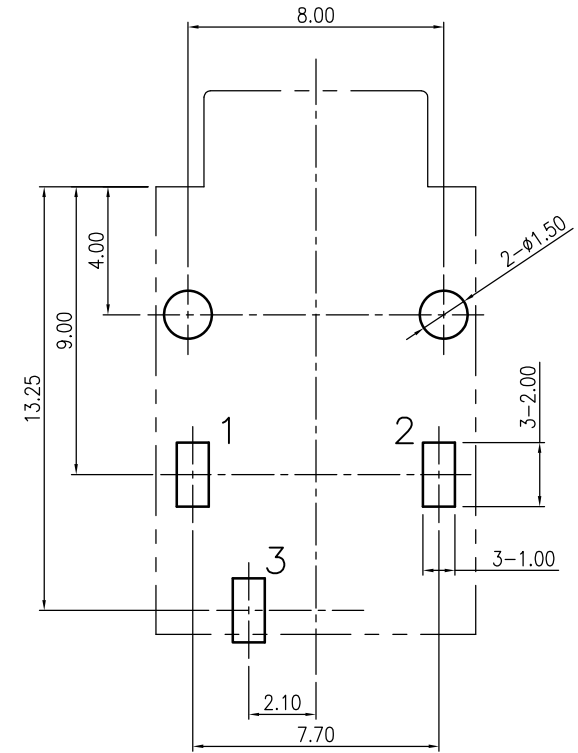
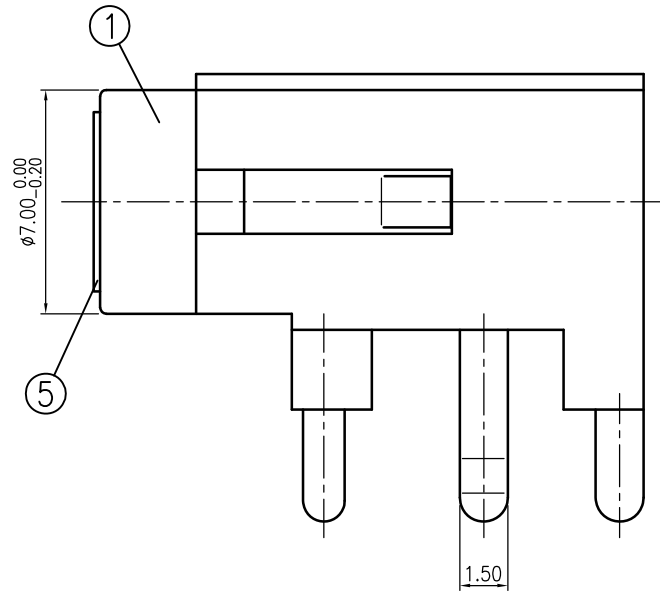
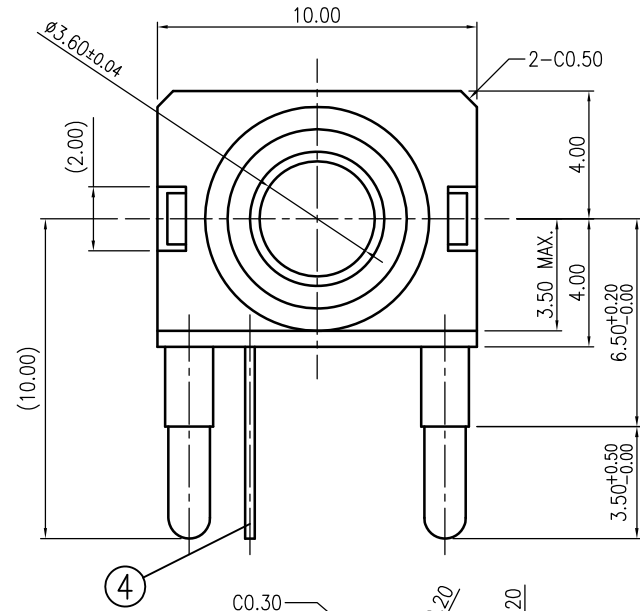
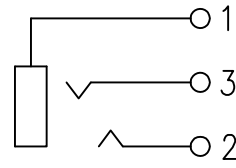
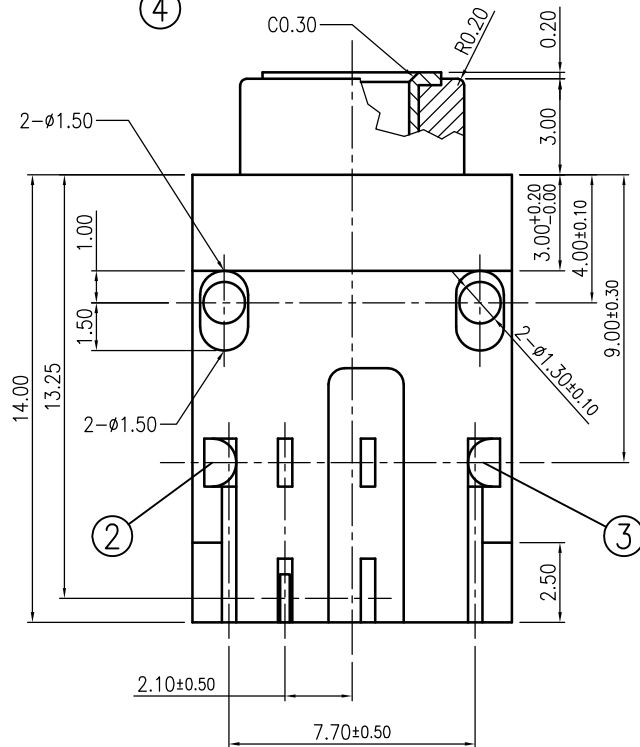


REVISIONS

LTR	DESCRIPTION	DATE	REV.	CHKD.	APVD.
△x1	To correct the name of material.(ECR No. C03110304)	2011.03.09	江浩霆	郭素玲	郭遠峰
△x1	To revise the drawing by official letter.(C803001)	2011.03.09	江浩霆	郭素玲	郭遠峰



PCB Layout Dimension (Tolerance: ±0.10)
(Recommend min. Dimension)(Bottom View)



Schematic

QTY	DESCRIPTION	MATERIAL
1	SLEEVE	Brass
(3)	RING SPRING	Copper Alloy t=0.30
(2)	TIP SPRING	Copper Alloy t=0.30
(1)	EARTH SPRING	Copper Alloy t=0.30
1	HOUSING	PPO UL 94V-0

Please refer color and plating combination list.

LTR	PART NAME	QTY	MATERIAL	REMARK
120~315	±0.5	DWN	連崗	DATE 2007.08.31
30~120	±0.35	DSND	劉怡廷	DATE 1997.01.30
6~30	±0.22	CHKD	陸昌妹	DATE 2007.08.31
BELOW 6	±0.16	APVD	劉望全	DATE 2007.08.31

NAME	CAT. NO.	DWN.NO.
MINIATURE JACK	HTJ-035-23D_Z1	A-03523DZ1

UNLESS OTHERWISE SPECIFIED, TOLERANCE ON DECIMAL: ±0.30 ANGLES: ±5°

KUNMING ELECTRONICS CO.,LTD.