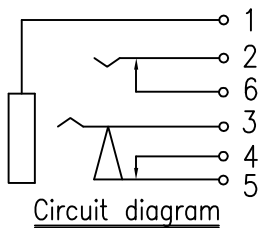
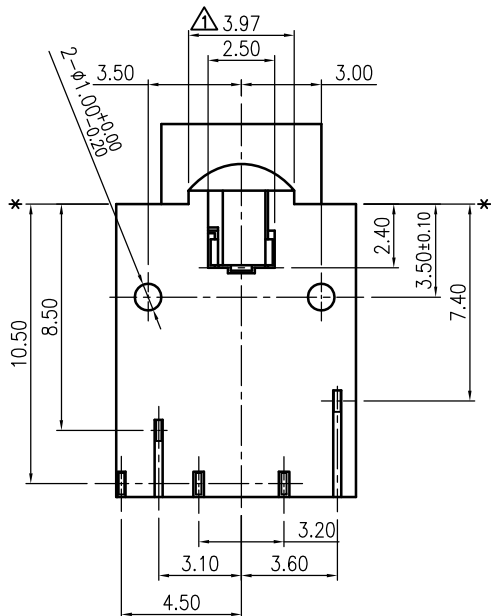


PCB Layout Dimension (Tolerance:±0.10)
(Recommend min. Dimension)(Bottom View)



7	TRANSFER TERMINAL(5)	1	Copper Alloy	t=0.20
6	BREAK TERMINAL(4)	1	Copper Alloy	t=0.20
5	RING SPRING(3)	1	Copper Alloy	t=0.20
4	SHUNT TERMINAL(6)	1	Brass	t=0.25
3	TIP SPRING(2)	1	Copper Alloy	t=0.25
2	EARTH SPRING(1)	1	Copper Alloy	t=0.20
1	HOUSING	1	High temperature thermoplastic UL 94V-0	

Please refer color and plating combination list.

LTR	PART NAME	Q'TY	MATERIAL	REMARK
120~315	±0.5	DWN	賴黎明	DATE 2008.07.04
30~120	±0.35	DSND	賴黎明	DATE 2008.07.04
6~30	±0.22	CHKD	陸昌妹	DATE 2008.07.04
BELOW 6	±0.16	APVD	蔡志祿	DATE 2008.07.04

SCALE N/A
PROJECTION
UNIT: mm

NAME Miniature Jack
CAT. NO. HTJ-035-21A_

UNLESS OTHERWISE SPECIFIED, TOLERANCE ON DECIMAL:±0.30 ANGLES: ±5°

REVISIONS					
LTR	DESCRIPTION	DATE	REV.	CHKD.	APVD.
△x4	Add dimensions.ref.C03100200	2010.03.25	任明星	郭益平 / 陸昌妹	郭遠峰
△x0	A-03521AP(B) is merged into the A-03521A(B)	2011.08.22	黃健瑋	郭素玲	郭遠峰
△x7	To change the shape by customer's request.(ECR No.C03110349)	2011.08.22	黃健瑋	郭素玲	郭遠峰