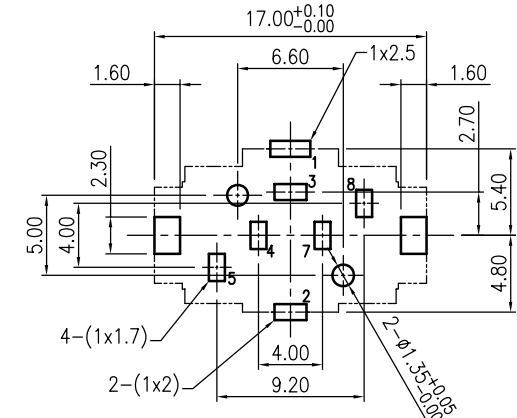
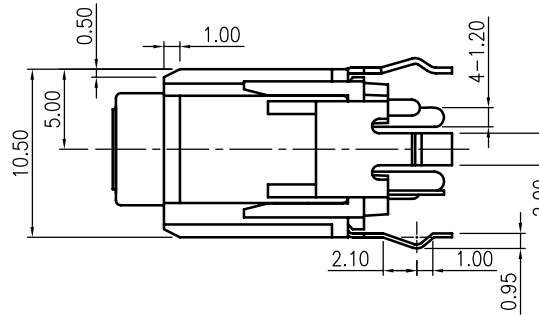
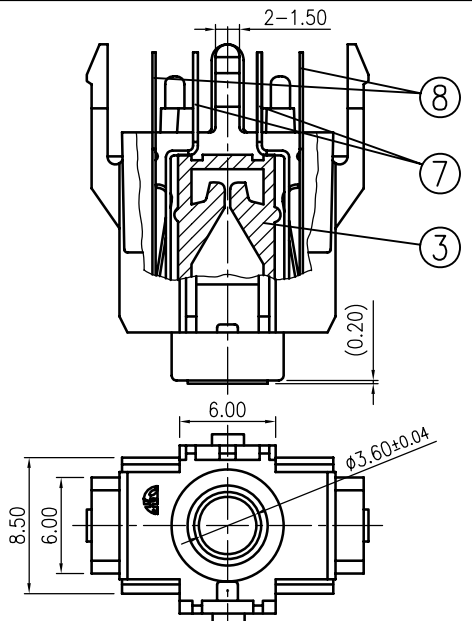
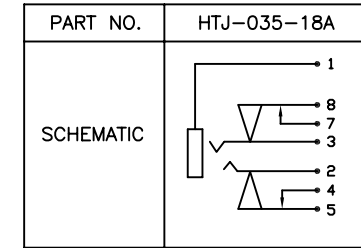
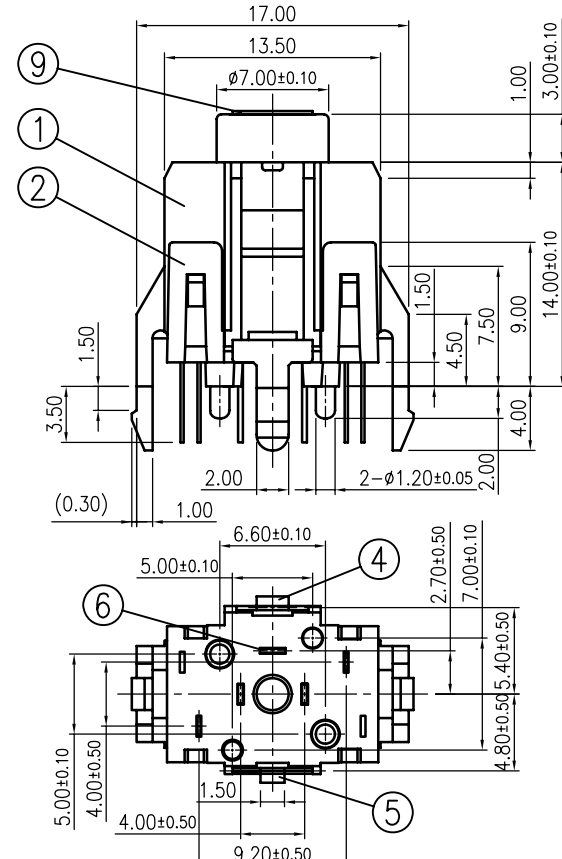


REVISIONS

LTR	DESCRIPTION	DATE	REV.	CHKD.	APVD.



P.C.B Layout Dimension (Tolerance: ± 0.1)
(Recommend min. Dimension) (Bottom View)



9	SLEEVE	1	BRASS
8	TRANSFER TERMINAL (5/8)	2	COPPER ALLOY t=0.20
7	BREAK TERMINAL (4/7)	2	BRASS t=0.30
6	RING SPRING (3)	1	COPPER ALLOY t=0.25
5	TIP SPRING (2)	1	COPPER ALLOY t=0.35
4	EARTH SPRING (1)	1	COPPER ALLOY t=0.25
3	SEPARATOR	1	POM UL 94HB
2	COVER	1	POM UL 94HB
1	HOUSING	1	PPO UL 94V-1

Please refer color combination list.

LTR	PART NO.	QTY	MATERIAL	REMARK
120~315	± 0.5	DWN	MIMO	DATE 2009.03.19
30~120	± 0.35	DSND	CW.FENG	DATE 1994.05.06
6~30	± 0.22	CHKD	JACKY	DATE 2009.03.19
BELOW 6	± 0.16	APVD	DICK	DATE 2009.03.19

SCALE 2/1
PROJECTION
UNIT: mm

NAME	MINIATURE JACK
CAT. NO.	HTJ-035-18A
DWN.NO.	A-03518A
	1/1
	001

UNLESS OTHERWISE SPECIFIED, TOLERANCE ON DECIMAL: ± 0.3 ANGLES: $\pm 5^\circ$

KUNMING ELECTRONICS CO.,LTD.