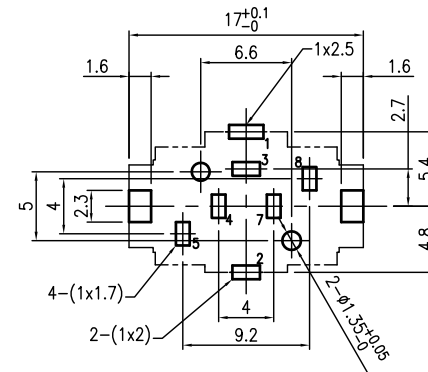
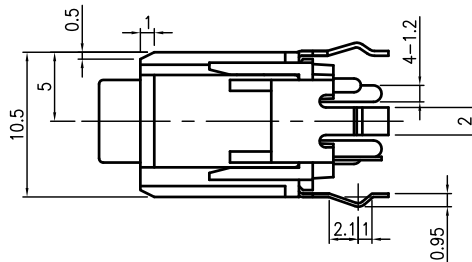
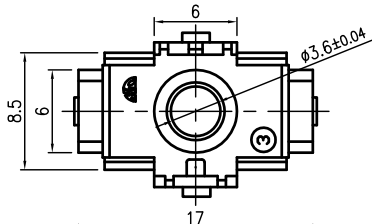
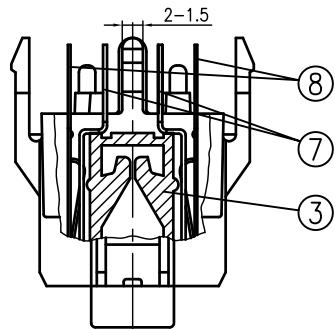
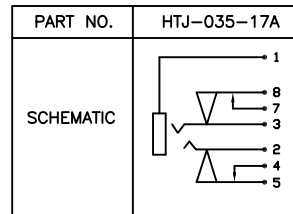
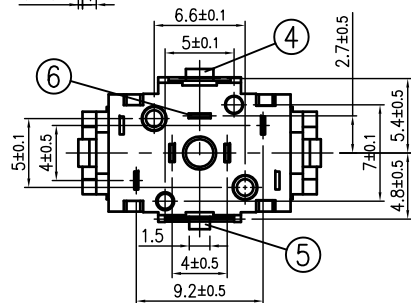
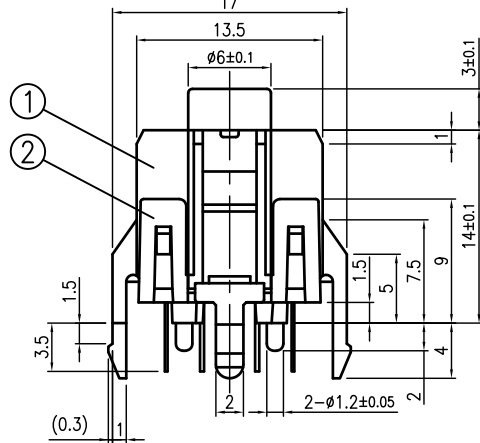


REVISIONS					
LTR	DESCRIPTION	DATE	REV.	CHKD.	APVD.
△x6	變更材質，增加防火等級誤記	2008.03.11	趙孝章		陸昌妹
△x2	To correct the drawing by ECR NO. C03180588	2018.02.06	龔雪	張啟濤	莊富智



P.C.B Layout Dimension (Tolerance: ±0.1)
 (Recommend min. Dimension) (Bottom View) △



8	TRANSFER TERMINAL(5,8)	C5210	t=0.20
7	BREAK TERMINAL(4,7)	C2680	t=0.30
△ 6	RING SPRING(3)	C5210	t=0.25
△ 5	TIP SPRING(2)	C5210	t=0.35
△ 4	EARTH SPRING(1)	C5210	t=0.25
△ 3	SEPARATOR	POM	UL 94HB
△ 2	COVER	POM	UL 94HB
△△ 1	HOUSING	1 PPO	UL 94V-1

Please refer to color and plating combination list.

LTR	PART NAME	Q'TY	MATERIAL	REMARK
120~315	±0.50	DWN	趙孝章	DATE 2008.03.11
30~120	±0.35	DSND	馮靜薇	DATE 1994.05.06
6~30	±0.22	CHKD	廖秋妹/陸昌妹	DATE 2008.03.13
BELOW 6	±0.16	APVD	林倫旋	DATE 2008.03.14
DIMENSION TOLERANCE				KUNMING ELECTRONICS CO.,LTD.
				SCALE 2/1
				PROJECTION
				UNIT:mm
				NAME MINIATURE JACK
				CAT. NO. HTJ-035-17A
				DWN.NO. A-03517A
				1/1
				C

UNLESS OTHERWISE SPECIFIED, TOLERANCE ON DECIMAL: ±0.30 ANGLES: ±5°

The raw material specified by Sony should meet SS-00259 requirement of the latest version. When such material is used, it should be supplied by Sony designated suppliers.