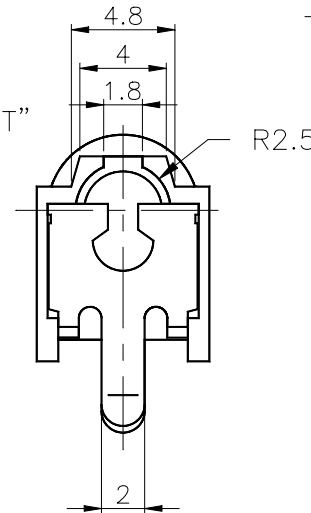
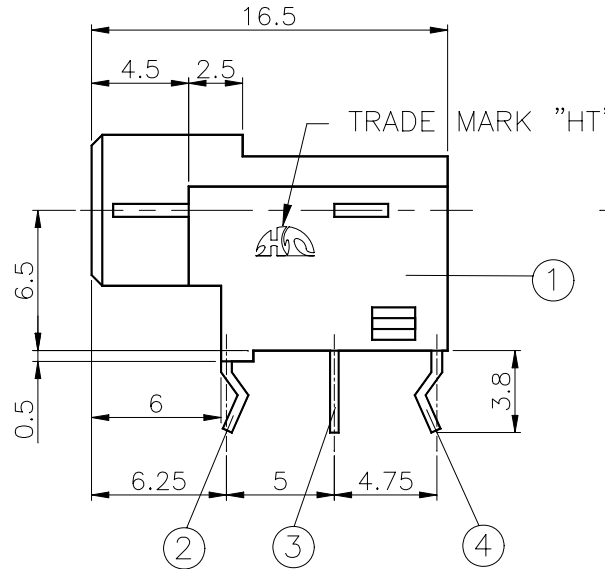
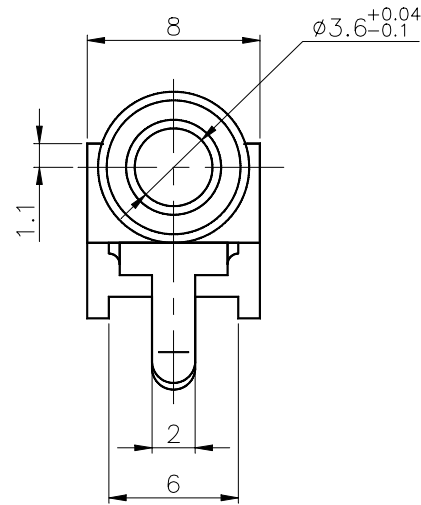
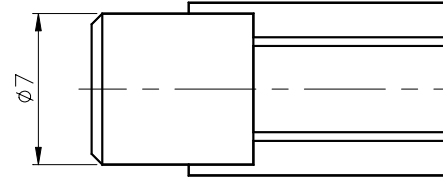
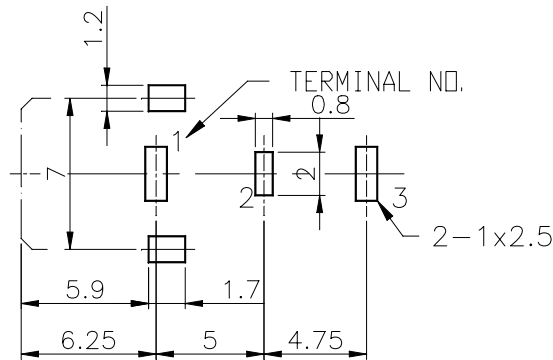
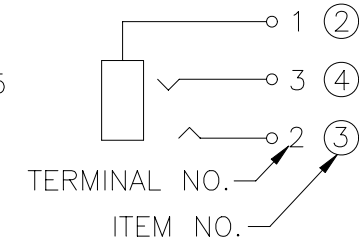


REVISIONS

LTR	DESCRIPTION	DATE	REVISED	APPROVED
△x 1	更改鍍層參照顏色料號對照表.	2004.03.07	BETSY	JOHNSON

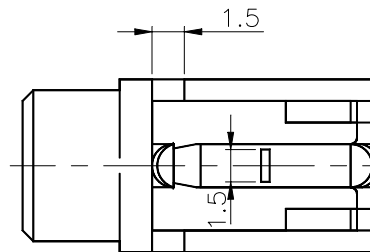


SCHEMATIC (HTJ-035-12D)



RECOMMENDED P.C.B HOLE LAYOUT
(TOLERANCE ±0.1)

UNLESS OTHERWISE SPECIFIED, TOLERANCE ON DECIMAL: ±0.3 ANGLES: ±5°



4	RING TERMINAL (3)	1	C2680 , t=0.5	△Please refer color combination list.
3	TIP SPRING (2)	1	Y-Cut , t=0.2	
2	EARTH TERMINAL (1)	1	C2680 , t=0.5	
1	HOUSING	1	PBT+15% GF, UL-94V-0	

LTR	PART NAME	QTY	MATERIAL	REMARK
DSND	LEO	DATE	2002.04.09	3RD ANGLE PROJECTION
DWN	BETSY	DATE	2004.03.07	
CHKD	JOHNSON	DATE	2004.03.09	
APVD	KUNG	DATE	2004.03.11	
UNIT : mm				

KUNMING ELECTRONICS CO., LTD.

NAME
MINIATURE JACK
CAT. No.
HTJ-035-12D_Z1
DWN. No.
A-03512DZ1

1/1
B