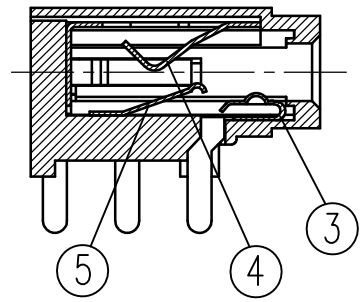
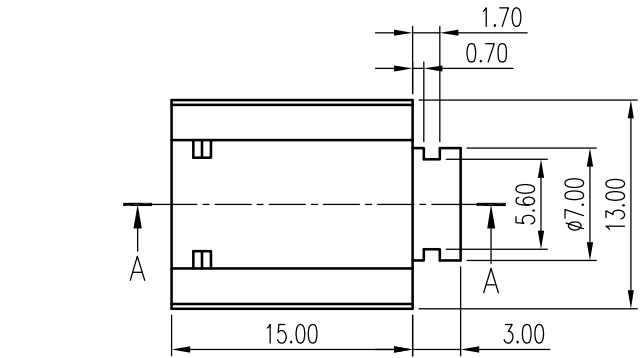
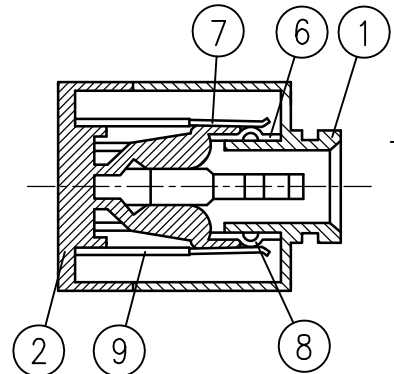
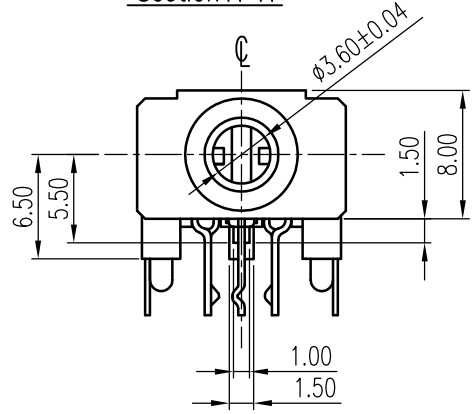
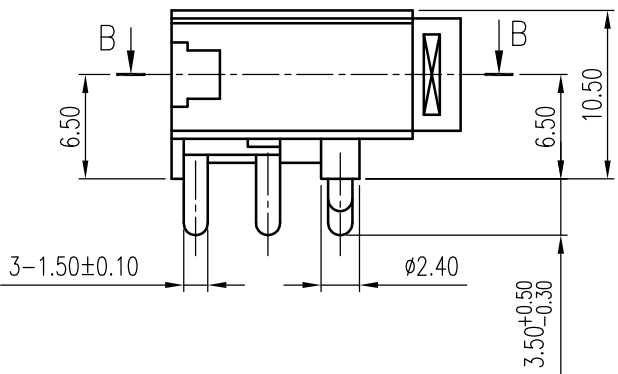


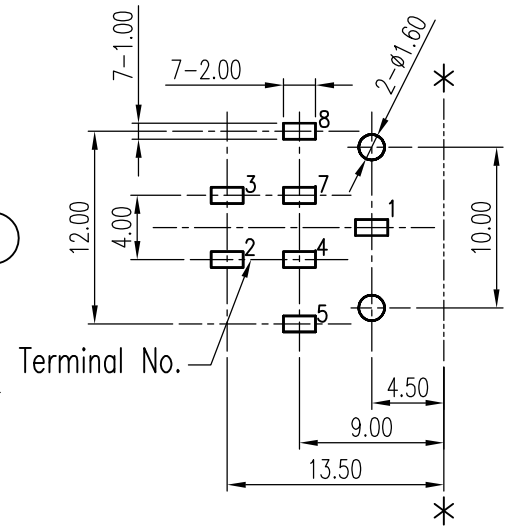
REVISIONS					
LTR	DESCRIPTION	DATE	REV.	CHKD.	APVD.



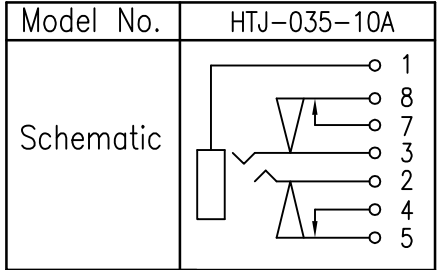
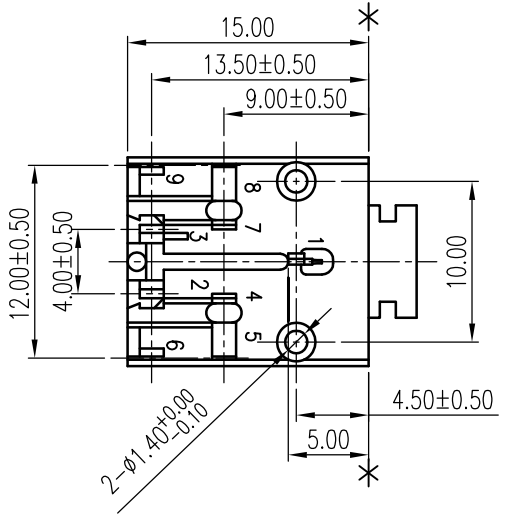
Section A-A



Section B-B



P.C.B Layout Dimension (Tolerance: ±0.1)
(Recommend min. Dimension) (Bottom View)



9	TRANSFER TERMINAL (8)	1	Copper Alloy, t=0.2
8	BREAK TERMINAL (7)	1	Brass t=0.3
7	TRANSFER TERMINAL (5)	1	Copper Alloy, t=0.2
6	BREAK TERMINAL (4)	1	Brass t=0.3
5	RING SPRING (3)	1	Copper Alloy, t=0.25
4	TIP SPRING (2)	1	Copper Alloy, t=0.3
3	EARTH SPRING (1)	1	Copper Alloy, t=0.2
2	COVER	1	POM UL 94HB
1	HOUSING	1	PBT+GF UL 94V-0

Please refer color and plating combination list.

LTR	PART NAME	QTY	MATERIAL	REMARK
120~315	±0.5	DWN	RMX	DATE 2010.10.06
30~120	±0.35	DSND	CHRISTINA	DATE 1995.05.24
6~30	±0.22	CHKD	ZOT/ALLAN	DATE 2010.10.06
BELOW 6	±0.16	APVD	Helen Kuo	DATE 2010.10.06
DIMENSION	TOLERANCE	KUNMING ELECTRONICS CO.,LTD.		DWN.NO. A-03510AP1

SCALE	2/1
PROJECTION	
UNIT:	mm
NAME	MINIATURE JACK
CAT. NO.	HTJ-035-10A_P1
DWN.NO.	A-03510AP1
	1/1
	001

UNLESS OTHERWISE SPECIFIED, TOLERANCE ON DECIMAL: ±0.3 ANGLES: ±0.5°