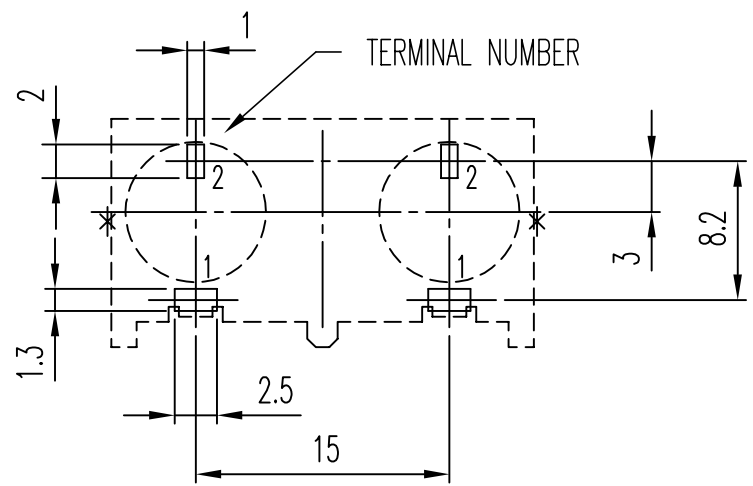
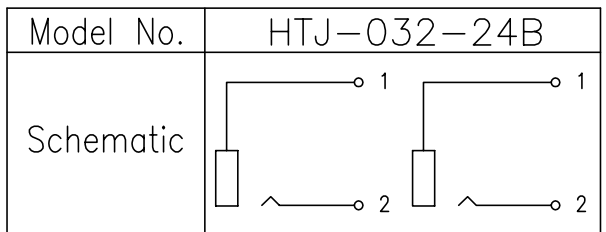
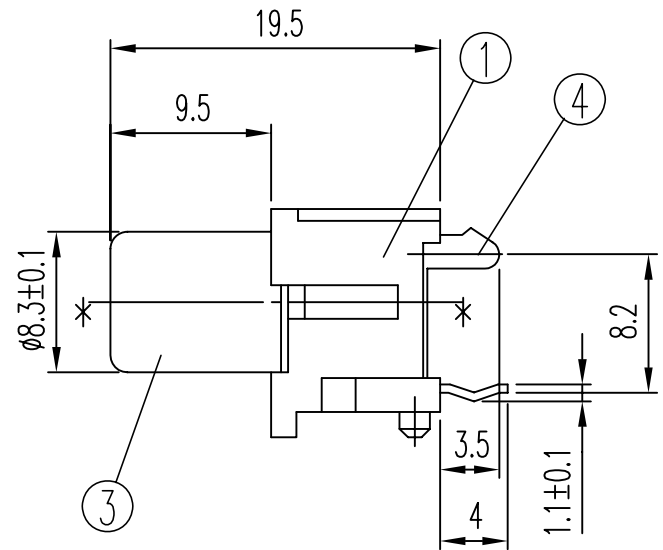
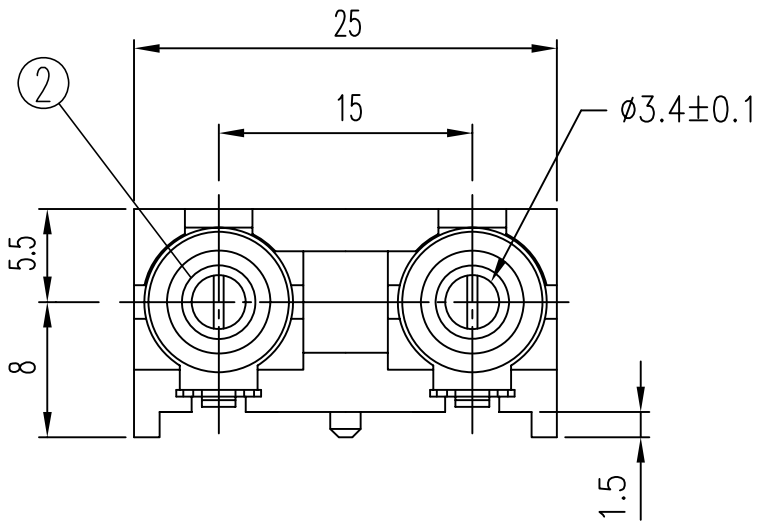


REVISIONS				
LTR	DESCRIPTION	DATE	REVISED	APPROVED



T:1.6 P.C.B Layout Dimension(Tolerance:±0.1)
(Recommend min.Dimension) (Bottom View)

4	TERMINAL	2	C2680	t=0.6	Please refer color combination list.
3	OUTER CONTACT	2	C2680	t=0.4	
2	WASHER	2	POM		
1	HOUSING	1	PBT+GF		
LTR	PART NAME	QTY	MATERIAL		REMARK
DWN	QUE.XL	DATE	2005.12.01	SCALE 2 / 1	NAME PIN JACK
DSND	L.D	DATE	2005.12.02	3RD ANGLE PROJECTION	CAT. NO.
CHKD	YT Chiang	DATE	2005.12.02		UNIT: mm
APVD	ERIC	DATE	2005.12.02		DWN.NO. A-03224BP
KUNMING ELECTRONICS CO.,LTD.					1/1 A