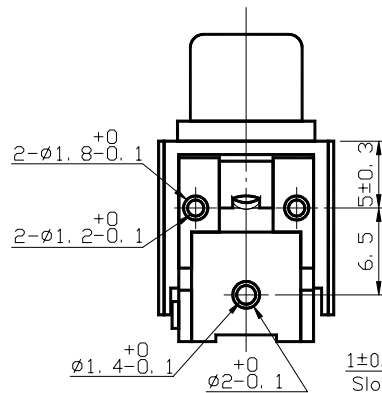
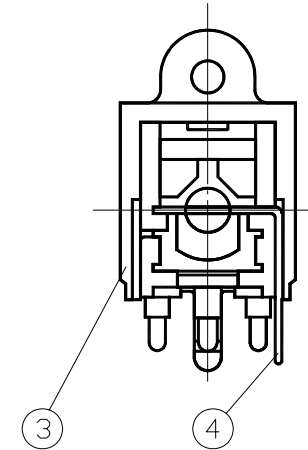
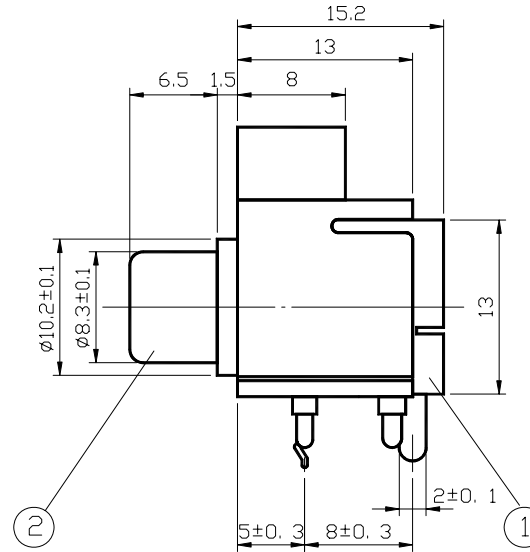
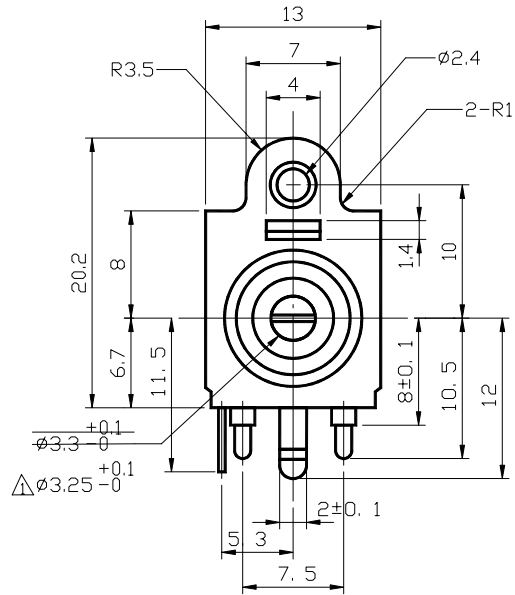
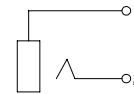
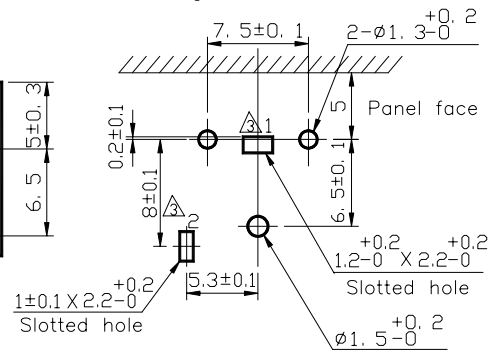


REVISIONS

LTR	DESCRIPTION	DATE	REVISED	APPROVED
△×1	修改尺寸	1994.07.22	CWFENG	SKLIU
△×1	電鍍變更	1995.05.23	HPLIU	SKLIU
△×2	依客戶要求增加 PIN NO.標示	2003.04.07	LEO	JOHNSON
△×2	顏色及鍍層參照顏色料號表	2004.05.17	JOLLY	JOHNSON



Hole dimension(reference)  
of PC board in view of pattern  
Board height : 8.0 mm



Circuit diagram

△MB:Cu Ag△SnPb PLATED

4	CENTER CONTACT (2)	1	C2680R-H, t=0.5		
3	COVER	1	ABS(BLACK), UL-94HB	△Please refer color combination list.	
2	OUTER CONTACT (1)	1	C2680R-O, t=0.4		
1	HOUSING	1	ABS,		
LTR	PART NAME	QTY	MATERIAL	REMARK	
DSND	CHICHANG	DATE	1991.11.18	3RD ANGLE PROJECTION NAME PIN JACK CAT. No. HTJ-032-08B DWN. NO. A-03208B	
DWN	JOLLY	DATE	2004.05.17		
CHKD	JOHNSON	DATE	2004.05.18		
APVD	KUNG	DATE	2004.05.18		
KUNMING ELECTRONICS CO., LTD.				UNIT: mm	1/1 B

UNLESS OTHERWISE SPECIFIED, TOLERANCE ON DECIMAL:±0.2

ANGLES:±5°