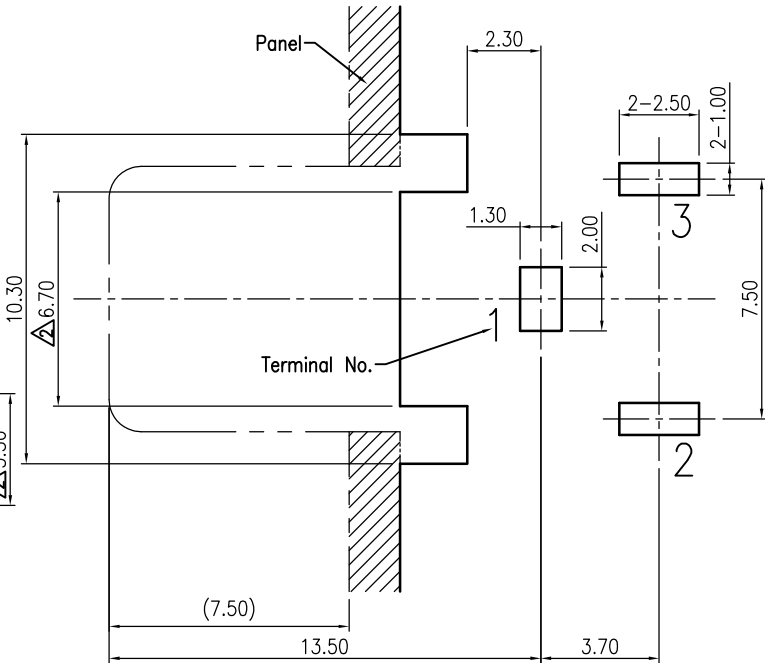
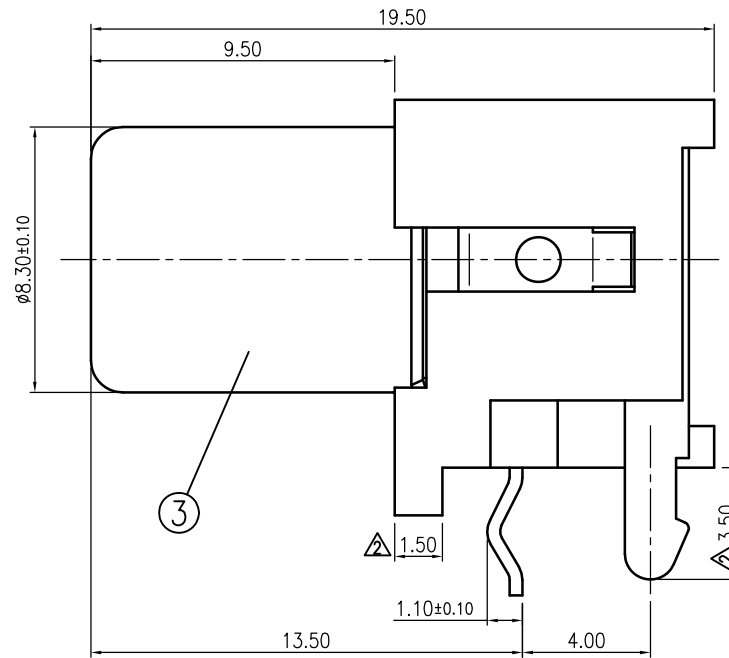
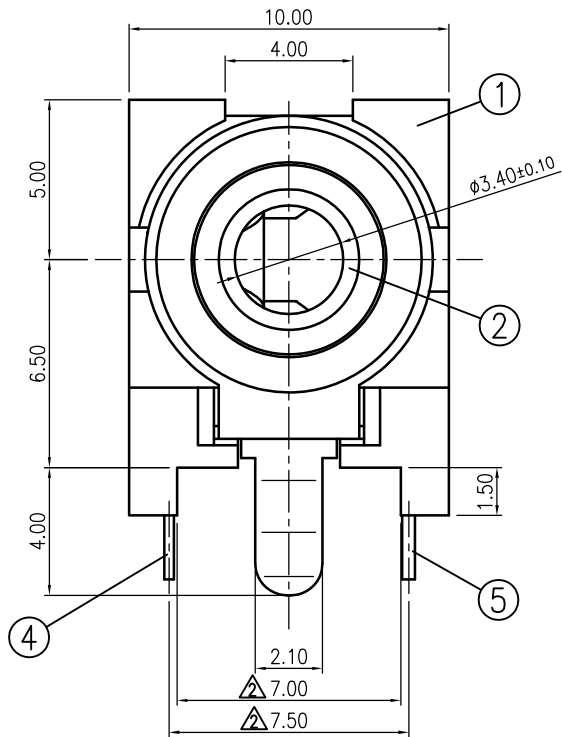
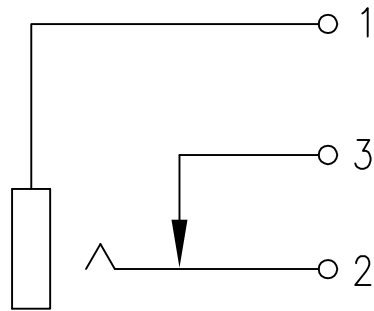


REVISIONS

LTR	DESCRIPTION	DATE	REV.	CHKD.	APVD.
△x1	修改HOUSING型態,增加WASHER	2006.07.17	楊志斌	劉望全	郭遠峰
△x5	To revise the drawing(F06120566)	2013.02.25	劉秀慧	李阮龍 / 郭素玲	郭遠峰
△x1	To revise the drawing by official letter(C803001)	2013.02.25	劉秀慧	李阮龍 / 郭素玲	郭遠峰



PCB Layout Dimension (Tolerance:±0.10)
(Recommend min. Dimension)(Bottom View)



Circuit diagram

△	5	SHUNT SPRING (3)	1	Brass	t=0.40	Please refer to color and plating combination list.
	4	TIP SPRING (2)	1	Copper Alloy	t=0.30	
	3	OUTER CONTACT (1)	1	Brass	t=0.40	
△	2	WASHER	1	POM	UL 94HB	
	1	HOUSING	1	PBT+GF	UL 94V-0	

LTR	PART NAME	Q'TY	MATERIAL	REMARK
120~315	±0.5	DWN	楊志斌	DATE 2006.07.17
30~120	±0.35	DSND	JAER	DATE 2003.05.03
6~30	±0.22	CHKD	劉望全/夏正雄	DATE 2006.07.20
BELOW 6	±0.16	APVD	郭遠峰	DATE 2006.07.25
DIMENSION	TOLERANCE	KUNMING ELECTRONICS CO.,LTD.		
				NAME PIN JACK
				CAT. NO. HTJ-032-05A__P
				DWN.NO. A-03205AP
				1/1
				C

UNLESS OTHERWISE SPECIFIED, TOLERANCE ON DECIMAL:±0.30 ANGLES: ±5°