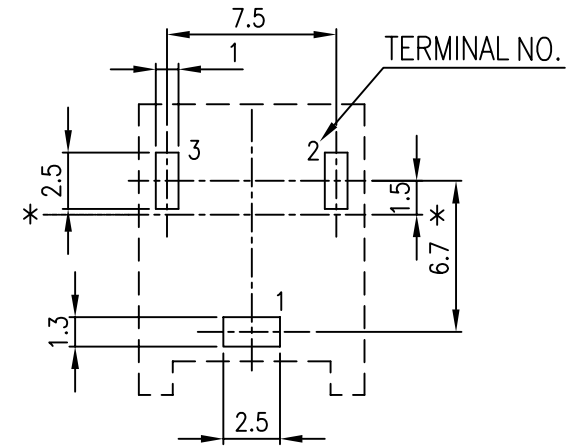
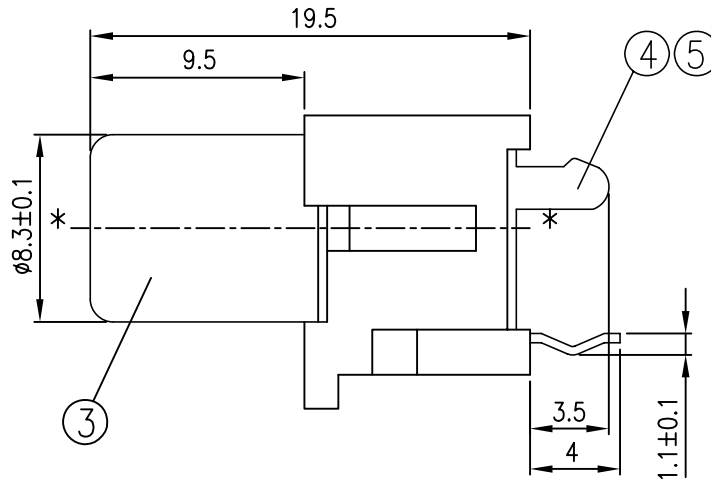
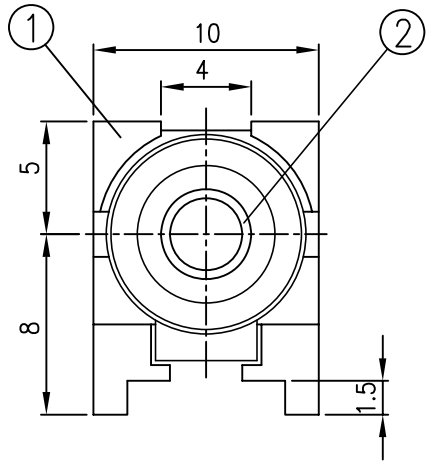
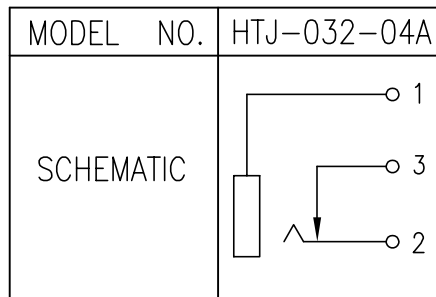


REVISIONS				
LTR	DESCRIPTION	DATE	REVISED	APPROVED
△ X1	修改HOUSING型態,增加WASHER	2006.07.17	YANGZHIBIN	BILL



P.C.B Layout Dimension (Tolerance:±0.1)
(Recommend min.Dimension)(bottom view)



5	SHUNT SPRING	1	C2680 ; t=0.4	Please refer color combination list	
4	TIP SPRING	1	C5210 ; t=0.3		
3	OUTER CONTACT	1	C2680 ; t=0.4		
2	WASHER	1	POM		
1	HOUSING	1	PBT+GF		
LTR	PART NAME	QTY	MATERIAL(THICK,COLOR)	REMARK	
DSND	MLCHANG	DATE	1992.08.03	SCALE	NAME
DWN	YANGZHIBIN	DATE	2006.07.17	PROJECTION	PIN JACK
CHKD	BILL JOHNSON	DATE	2006.07.20	UNIT: mm	CAT. NO.
APVD	DICK	DATE	2006.07.25		HTJ-032-04A_P
KUNMING ELECTRONICS CO.,LTD.					DWN.NO.
					A-03204AP
					1/1
					B

UNLESS OTHERWISE SPECIFIED, TOLERANCE ON DECIMAL: ±0.3

ANGLES: ±5°