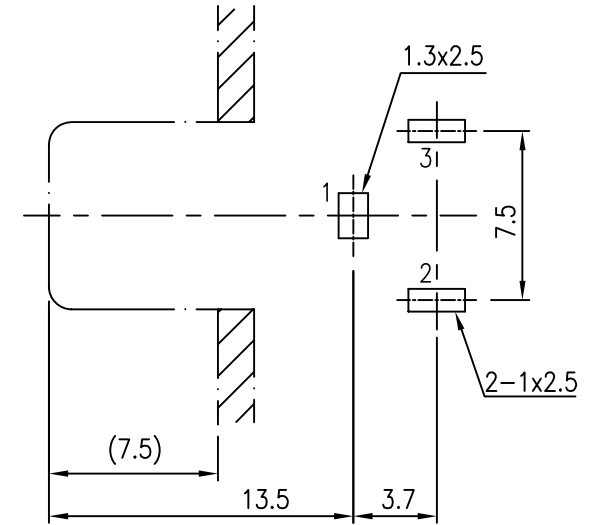
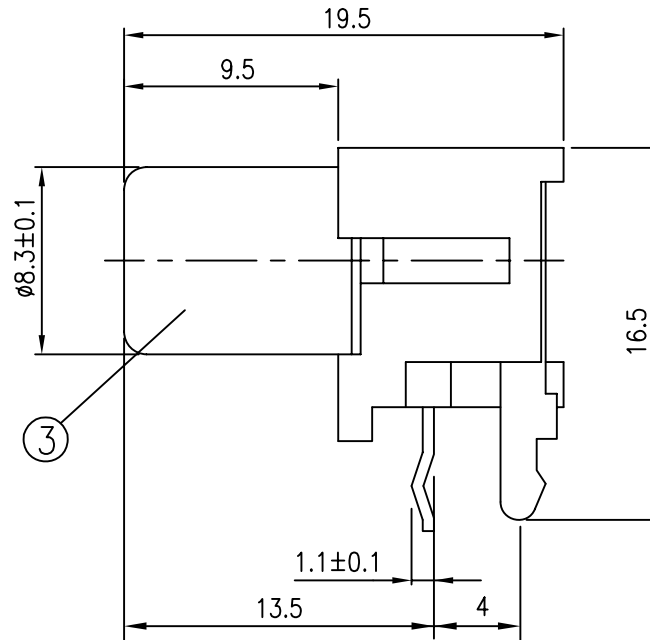
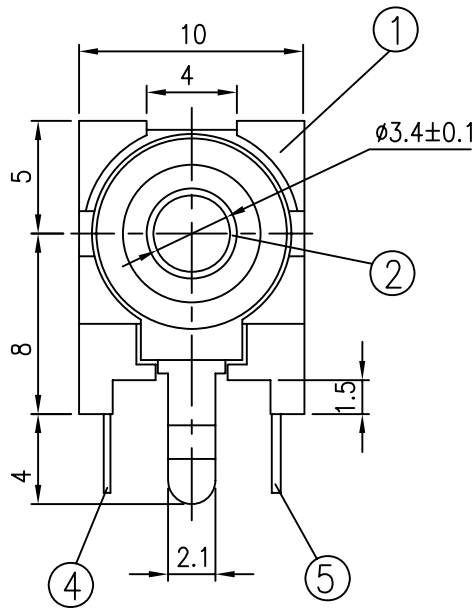
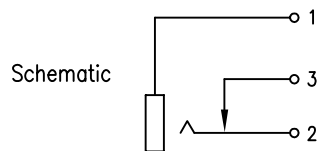


REVISIONS				
LTR	DESCRIPTION	DATE	REVISED	APPROVED
△ X1	修改HOUSING型態,增加WASHER	2006.07.17	YANGZHIDIN	BILL



P.C.B Layout Dimension (Tolerance:±0.1)
(Recommend min.Dimension)(bottom view)

Model No. HTJ-032-03A



5	SHUNT SPRING	1	C2680	, t=0.4	Please refer color combination list
4	TIP SPRING	1	C5210	, t=0.3	
3	OUTER CONTACT	1	C2680	, t=0.4	
2	WASHER	1	POM		
1	HOUSING	1	PBT+GF		



LTR	PART NAME	QTY	MATERIAL	REMARK
DSND	SIMON	DATE	2003.11.01	SCALE
DWN	YANGZHIDIN	DATE	2006.07.17	PROJECTION
CHKD	BILL JOHNSON	DATE	2006.07.20	UNIT: mm
APVD	DICK	DATE	2006.07.25	
KUNMING ELECTRONICS CO.,LTD.				NAME
				PIN JACK
				CAT. NO.
				HTJ-032-03A_P
				DWN.NO.
				A-03203AP
				1/1
				B

UNLESS OTHERWISE SPECIFIED, TOLERANCE ON DECIMAL: ±0.3

ANGLES: ±5°