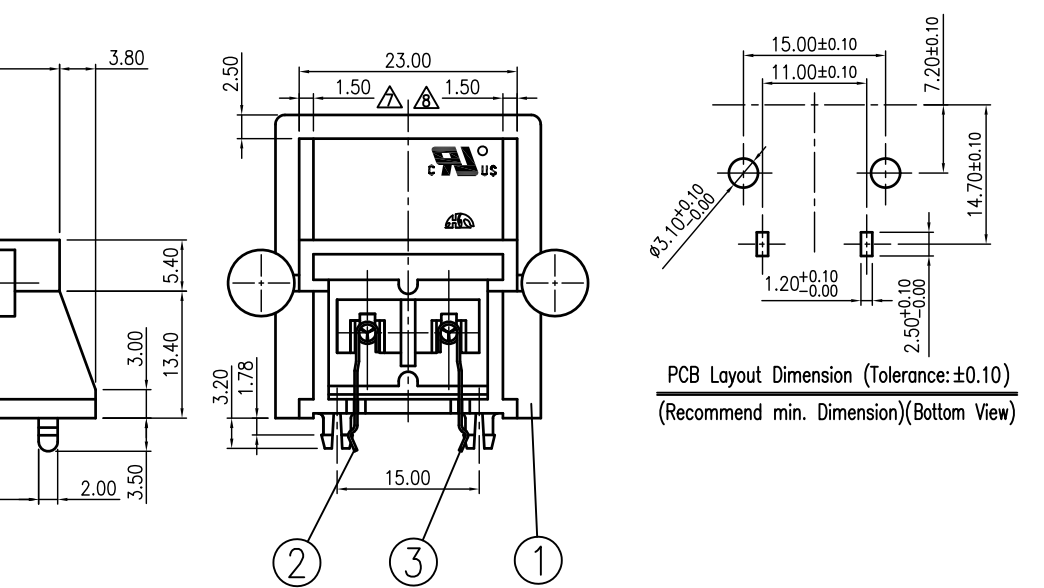
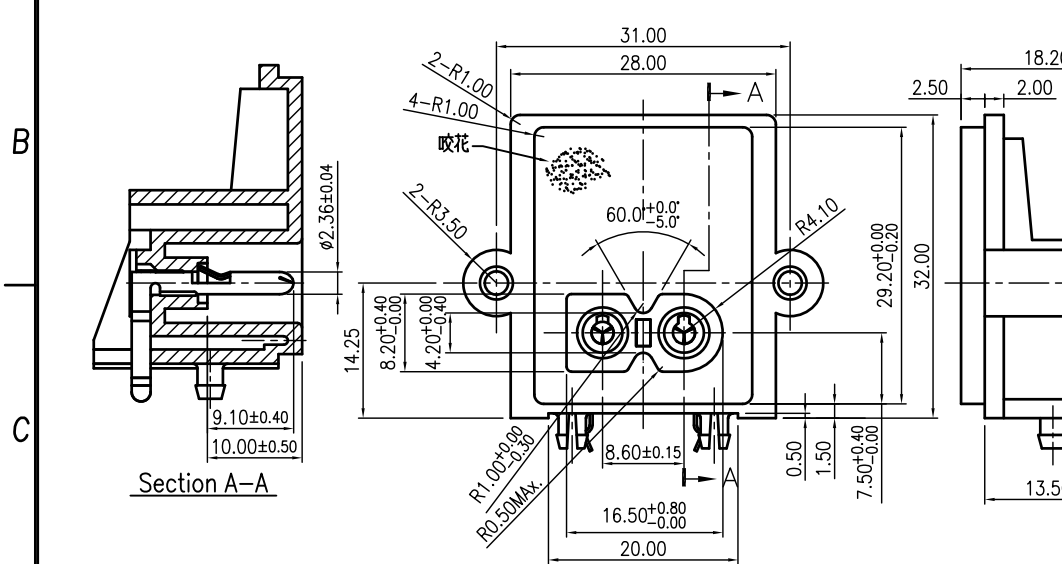


REVISIONS					
LTR	DESCRIPTION	DATE	REV.	CHKD.	APVD.
△x1	Update the approved standard(ECR C03140514)	2014.04.24	黃健璋	郭素玲	郭遠峰
△x2	Cancel the CSA mark (CSA Reference No)ECR C03150547	2018.08.10	李阮龍	李阮龍	李阮龍
△x2	Cancel the VDE mark (VDE Reference No)ECR C03190596	2019.06.28	李阮龍	李阮龍	郭遠峰



△△△ Approved Standard:UL&cUL FILE NO.E95834

3	PIN-2	1	Brass t=0.30	
2	PIN-1	1	Brass t=0.30	
1	HOUSING	1	PPO UL 94V-1	

LTR	PART NAME	Q'TY	MATERIAL	REMARK
120~315	±0.50	DWN	MAISIE	DATE 2001.09.08
30~120	±0.35	DSND	劉惠萍	DATE 2001.01.04
6~30	±0.22	CHKD	夏正雄	DATE 2002.04.09
BELOW 6	±0.16	APVD	龔雲輝	DATE 2002.04.09
KUNMING ELECTRONICS CO.,LTD.				SCALE 1.25/1
				PROJECTION
				CAT. NO. HJC-028A-P
				DWN.NO. A-028A-P
				1/1
				G-002

UNLESS OTHERWISE SPECIFIED, TOLERANCE ON DECIMAL: ±0.30 ANGLES: ±5°

SONY specifies the raw material is SS-00259 the latest version of document requests, and purchased from the SONY specified raw materials suppliers.