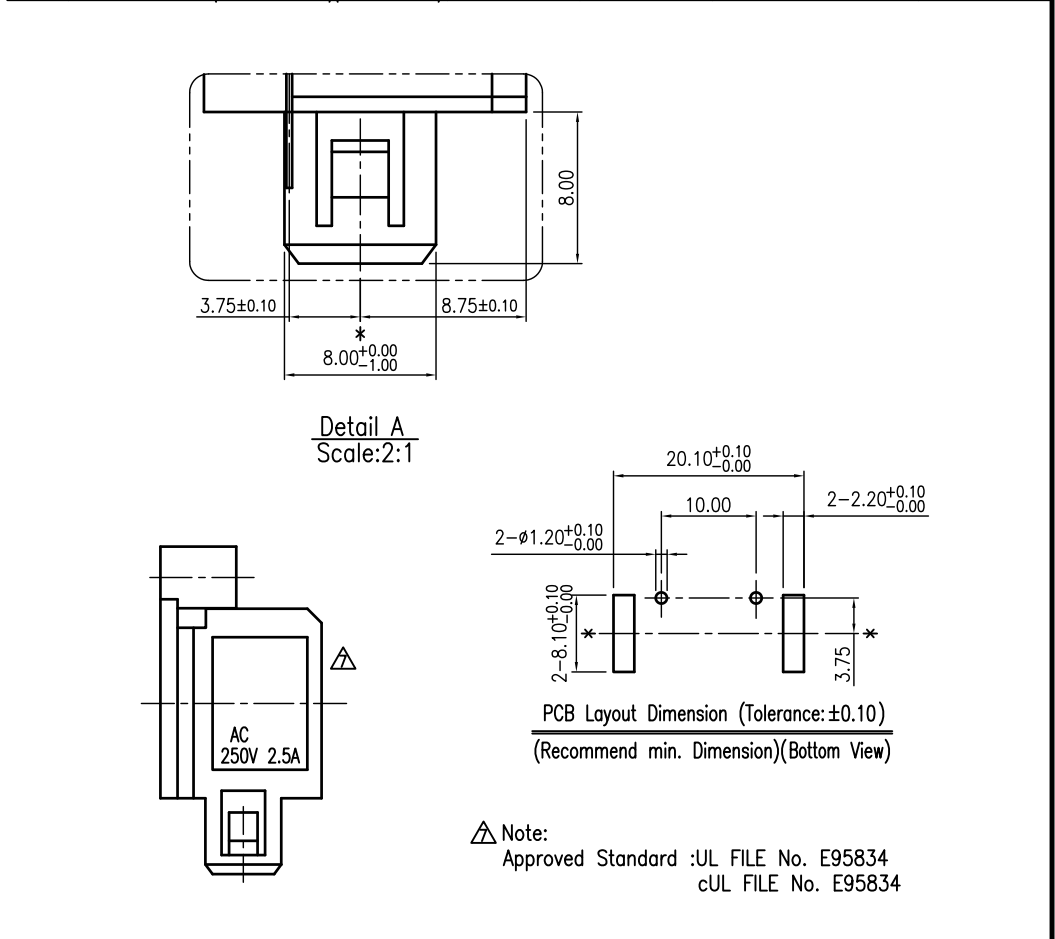


REVISIONS					
LTR	DESCRIPTION	DATE	REV.	CHKD.	APVD.
△x1	To change the mark of housing (ECR C03150547)	2015.06.17	陳衛兵	張啟濤	陳宗碧
△x2	Cancel the VDE mark (VDE Reference No)(ECR C03190596)	2019.06.28	李阮龍	李阮龍	郭遠峰



Note:
Approved Standard :UL FILE No. E95834
cUL FILE No. E95834

3	TERMINAL	2	C2680R-H t=0.30	
2	PIN	2	COPPER	
1	HOUSING	1	PA66+15%GF	
LTR	PART NAME	Q'TY	MATERIAL	REMARK
120~315	±0.50	DWN	姜鳳梅	DATE 2005.05.31
30~120	±0.35	DSND	羅文星	DATE 1994.01.19
6~30	±0.22	CHKD	夏正雄	DATE 2005.05.31
BELOW 6	±0.16	APVD	楊仲民	DATE 2005.05.31
KUNMING ELECTRONICS CO.,LTD.				SCALE 1.25/1
				PROJECTION
				CAT. NO. HJC-027A-P
				DWN.NO. A-027A-P
				1/1
				G-001

UNLESS OTHERWISE SPECIFIED, TOLERANCE ON DECIMAL: ±0.30 ANGLES: ±5°

The raw material specified by Sony should meet SS-00259 requirement of the latest version. When such material is used, it should be supplied by Sony designated suppliers.