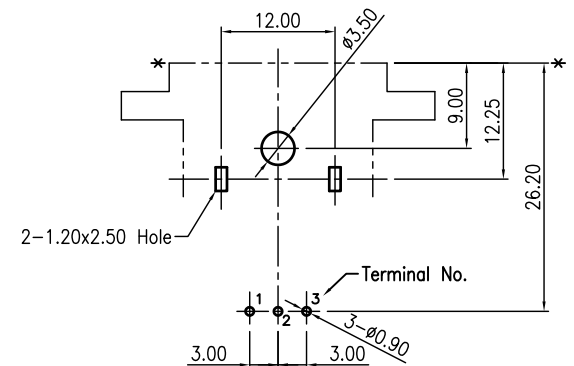
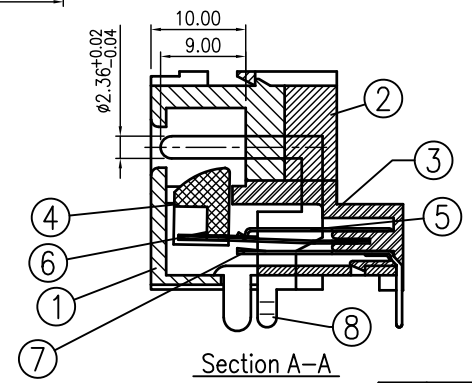
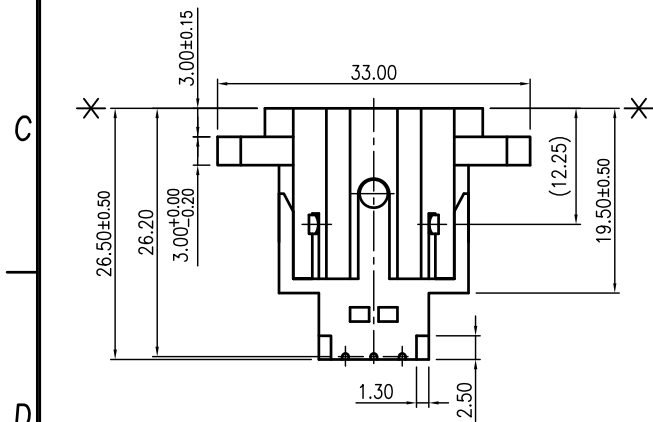


REVISIONS					
LTR	DESCRIPTION	DATE	REV.	CHKD.	APVD.
△x1	Update the approved standard(ECR C03140514)	2014.04.24	黃健璋	郭素玲	郭遠峰
△x1	Update the approved standard	2019.06.20	李阮龍	李阮龍	郭遠峰

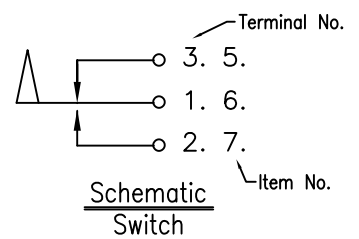


PCB Layout Dimension (Tolerance: ±0.10)  
(Recommend min. Dimension)(Bottom View)

△ Approved Standard: VDE Certificate No.: 40028825  
SEMKO Reference No.: 1000039  
△ CB certificate No.: DE1-62102

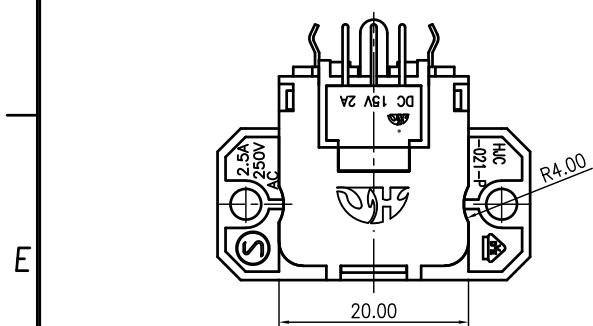


Section A-A



Schematic Switch

8	PIN	2	C2680 t=0.40	
7	SHUNT SPRING(B)	1	C2680 t=0.30	
6	TIP SPRING	1	C5191 t=0.30	
5	SHUNT SPRING(A)	1	C5191 t=0.30	
4	SEPARATOR	1	PBT+30%GF (Black)	
3	BASE	1	PPO (Black)	
2	COVER	1	PPO (Black)	
1	HOUSING	1	PBT+30%GF (Black)	



LTR	PART NAME	Q'TY	MATERIAL	REMARK
120~315	±0.50	DWN	劉怡廷	DATE 1996.05.28
30~120	±0.35	DSND	CHUNG CHEN	DATE 1996.05.27
6~30	±0.22	CHKD	劉怡廷	DATE 1997.10.29
BELOW 6	±0.16	APVD	龔雲輝	DATE 1997.10.29
DIMENSION TOLERANCE				KUNMING ELECTRONICS CO.,LTD.
				SCALE 1.25/1
				PROJECTION
				CAT. NO. HJC-021-P
				DWN.NO. A-021-P
				1/1
				H

UNLESS OTHERWISE SPECIFIED, TOLERANCE ON DECIMAL: ±0.30 ANGLES: ±5°

SONY specifies the raw material is SS-00259 the latest version of document requests, and purchased from the SONY specified raw materials suppliers.