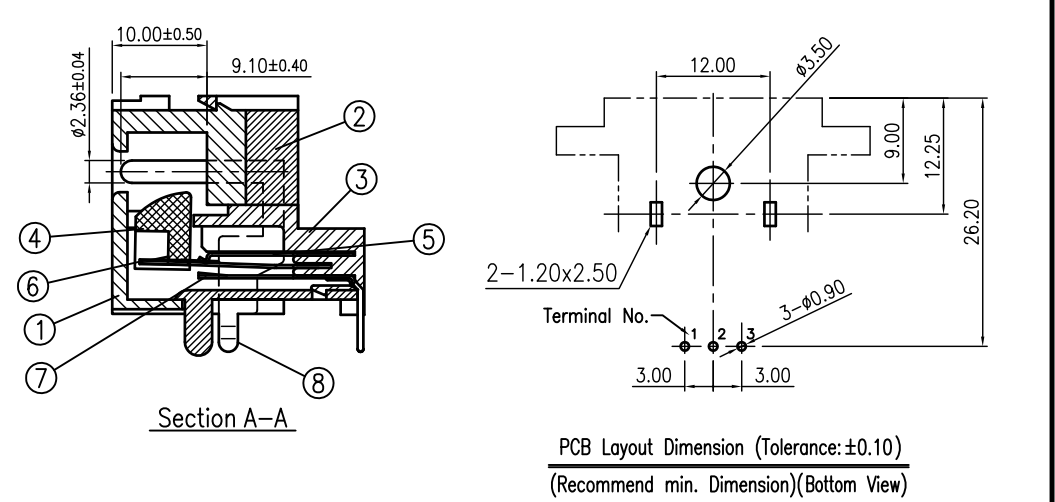


REVISIONS					
LTR	DESCRIPTION	DATE	REV.	CHKD.	APVD.
△x1	To change the mark of housing (ECR C03150547)	2015.06.09	陳衛兵	張啟濤	陳宗碧
△x2	Cancel the CSA mark (CSA Reference No. ECR C03150547)	2018.1024	李阮龍	李阮龍	李阮龍



△Note:  
Approved Standard: UL&cUL FILE NO.E95834

8	PIN	2	C2680	t=0.40	MBCu-Sn plated
7	SHUNT SPRING(B)	1	C2680	t=0.30	MBCu-Ag plated
6	TIP SPRING	1	C5191	t=0.30	MBCu-Ag plated
5	SHUNT SPRING(A)	1	C5191	t=0.30	MBCu-Ag plated
4	SEPARATOR	1	PBT(SHINKONG D202)		Black
3	BASE	1	PPO(SABIC RESIN)UL 94V-0		Black
2	COVER	1	PPO(SABIC RESIN)UL 94V-0		Black
1	HOUSING	1	PBT+GF+30%GF(SHINKONG D202G30)UL 94V-0		Black

LTR	PART NAME	Q'TY	MATERIAL	REMARK
120~315	±0.50	DWN	鄭伍豐	DATE 2008.03.26
30~120	±0.35	DSND	CHUNG CHEN	DATE 1996.05.27
6~30	±0.22	CHKD	關雄浪/陸昌妹	DATE 2008.03.26
BELOW 6	±0.16	APVD	林倫旋	DATE 2008.03.29
DIMENSION TOLERANCE				KUNMING ELECTRONICS CO.,LTD.
SCALE 1.25/1				NAME AC POWER SOCKET
PROJECTION				CAT. NO. HJC-020A-P
UNIT:mm				DWN.NO. A-020A-P
				1/1
				H

UNLESS OTHERWISE SPECIFIED, TOLERANCE ON DECIMAL:±0.30 ANGLES:±5°

The raw material specified by Sony should meet SS-00259 requirement of the latest version. When such material is used, it should be supplied by Sony designated suppliers.