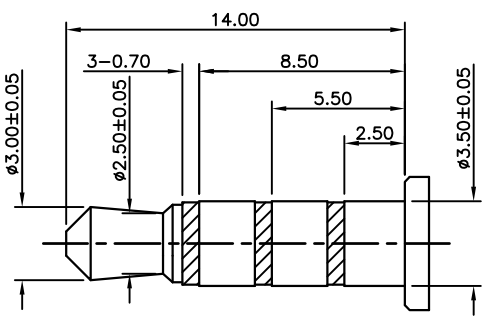
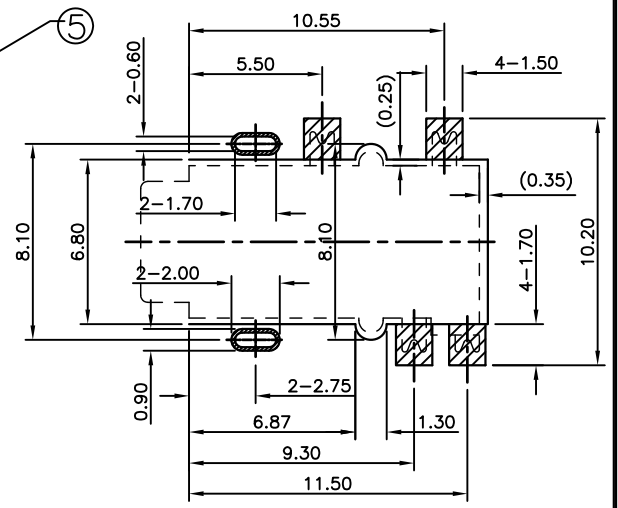
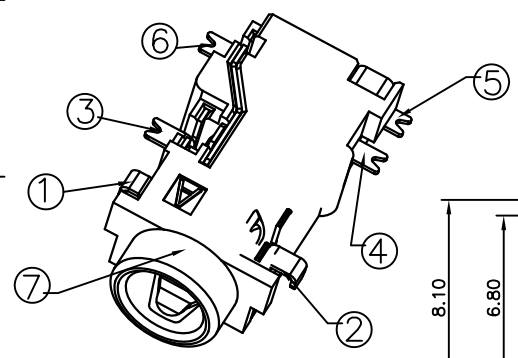
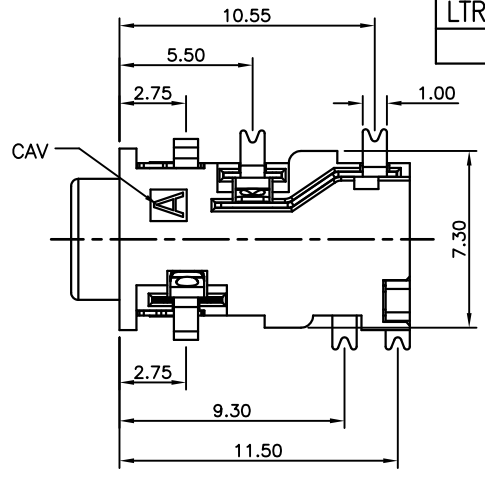


REVISIONS					
LTR	DESCRIPTION	DATE	REV.	CHKD.	APVD.

A

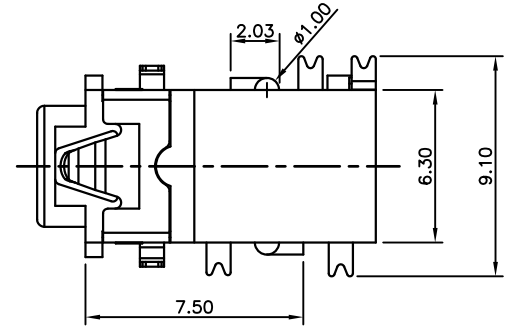
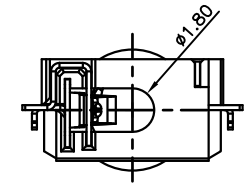
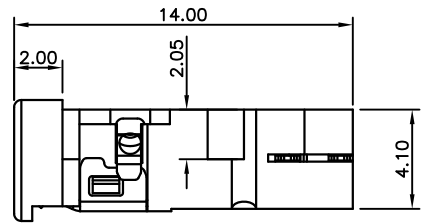
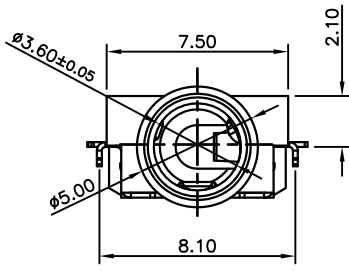


( $\phi 3.50\text{mm}$  4 POLE PLUG DETAIL DRAWING)

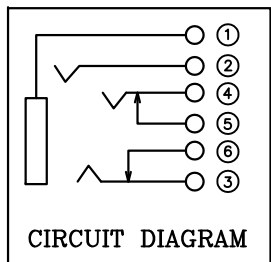


PCB LAYOUT TOP VIEW  
TOLERANCES:  $\pm 0.05$

B



C



- NOTES:
- CONTACT CURRENT RATING: 1A.
  - CONTACT RESISTANCE: 50 mΩ MAX.;
  - INSULATION RESISTANCE: 100MΩ MIN.;
  - DIELECTRIC WITHSTANDING: 500V AC MIN.;
  - DURABILITY: 5,000 CYCLES MIN.;
  - CONNECTOR MATING FORCES: 29.4N (3.00Kg) MAX.;
  - CONNECTOR UNMATING FORCES: 2.94N(0.30Kg) MIN.;

D

E

⑦	HOUSING	1	HIGH TEMP.THERMOPLASTIC	Black	120~315	$\pm 0.55$	DWN	王合諧	DATE	2019.07.08	SCALE 3.125/1	NAME $\phi 3.5\text{mm}$ PHONE JACK
⑥	TERMINAL 6#	1	COPPER ALLOY t=0.20	Au-Plated	30~120	$\pm 0.45$	DSND	王合諧	DATE	2019.07.08		
⑤	TERMINAL 5#	1	COPPER ALLOY t=0.20	Au-Plated	6~30	$\pm 0.35$	CHKD	李阮龍	DATE	2019.07.08	UNIT:mm	DWN.NO. A-PJ3541S061182000
④	TERMINAL 4#	1	COPPER ALLOY t=0.20	Au-Plated	BELOW 6	$\pm 0.25$	APVD	郭遠峰	DATE	2019.07.08		
③	TERMINAL 3#	1	COPPER ALLOY t=0.20	Au-Plated								
②	TERMINAL 2#	1	COPPER ALLOY t=0.20	Au-Plated								
①	TERMINAL 1#	1	COPPER ALLOY t=0.20	Au-Plated								
No.	PART NAME	QTY	MATERIAL(THICK)	PLATING(COLOR)	DIMENSION	TOLERANCE	KUNMING ELECTRONICS CO.,LTD.					