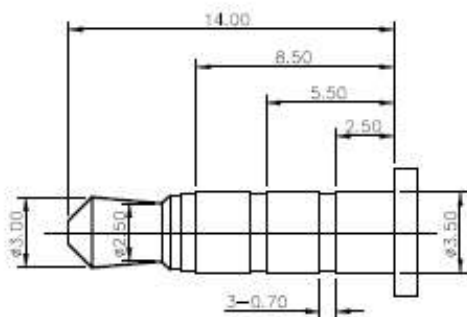
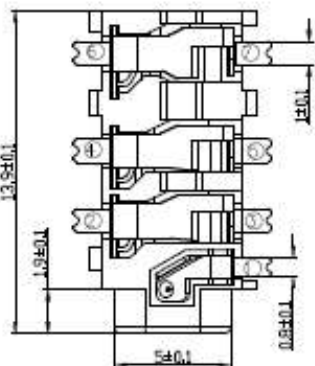
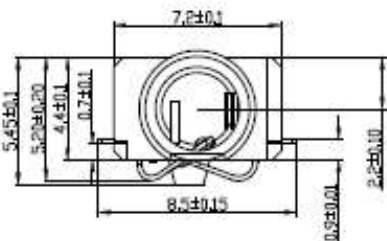
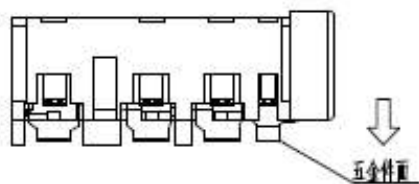
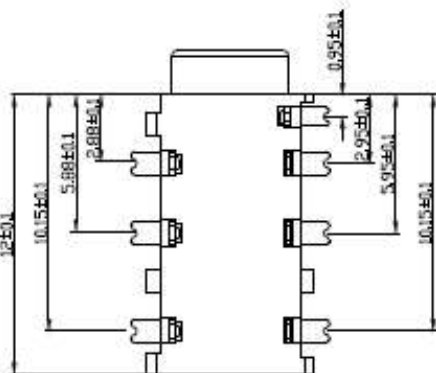
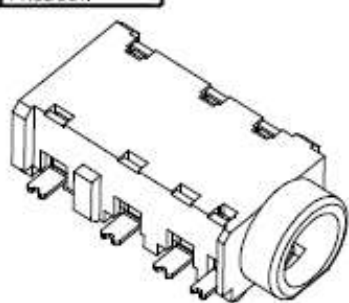
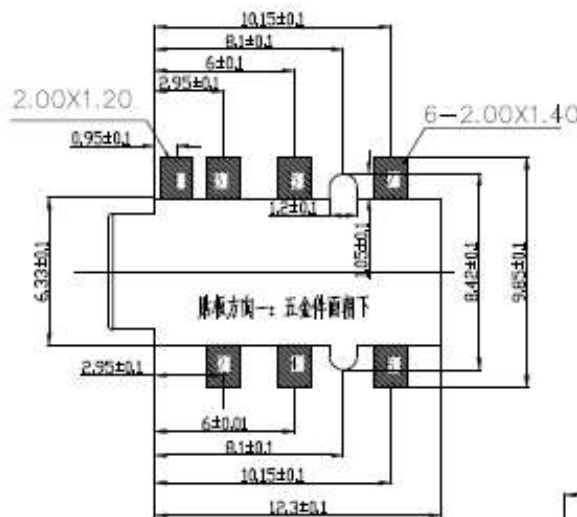


RoHS

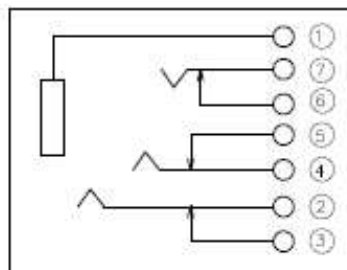
THIS IS A RoHS COMPLIANT COMPONENT/PRODUCT.



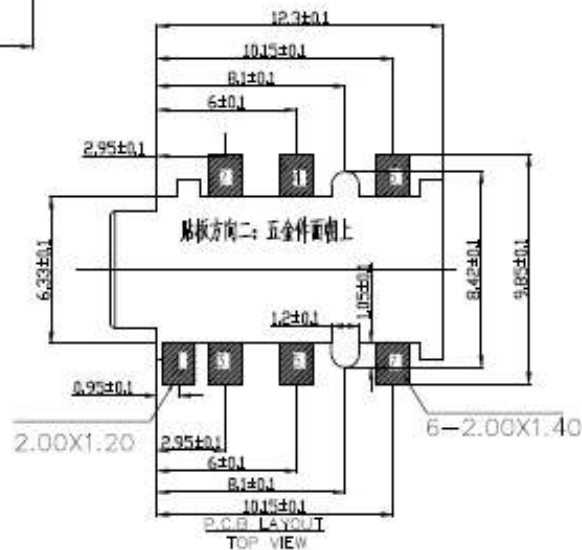
(#3.50mm 4-PCLE PLUG DETAIL DRAWING)



PCB LAYOUT TOP VIEW



SCHEMATIC



PCB LAYOUT TOP VIEW

- NOTES:
- CONTACT CURRENT RATING: 1A.
 - CONTACT RESISTANCE: 50 mΩ MAX.
 - INSULATION RESISTANCE: 1000Ω MIN.
 - DIELECTRIC WITHSTANDING: 500V AC MIN.
 - DURABILITY: 5,000 CYCLES MIN.
 - CONNECTOR MATING FORCES: 29.4N (3.00kgf) MAX.
 - CONNECTOR UNMATING FORCES: 2.94N (0.30kgf) MIN.
 - PRODUCT MEET THE REQUEST OF THE RoHS, SEE TABLE A.

TABLE A:

MATTER	RoHS (PPM)
Cd	<100
Pb	<1000
Hg	<1000
Cr+6	<1000
PBB	<1000
PBDE	<1000

XA	0066000	NEW DESIGN	Kelvin	121223
MARK	ECN-NO.	REVISION RECORD	DRAWN	DATE
Dimension Range		Dimension Tolerance	SCALE	CHECKED
XX	±0.20	UNIT	2/1	APPROVED
X.XX	±0.15	mm		
X.XXX	±0.10	SIZE	A3	
ANGLE	±5°			
Material/Plated/Notes		NAME		
SEE NOTE		3.5 PHONE JACK (SMT+TIP)		
Tooling No.		PART NO.	KXXXX-XXX-XX	REV.
		DOC. NO.		0

ITEM	PART NAME	Q'TY	MATERIAL	DESCRIPTION	REMARK
④	HOUSING	1	PAST		Black
③	CONTACT C	3	Beryllium copper 0.20T	Au Flash	
②	CONTACT B	3	Beryllium copper 0.20T	Au Flash	
①	CONTACT A	1	Beryllium copper 0.20T	Au Flash	