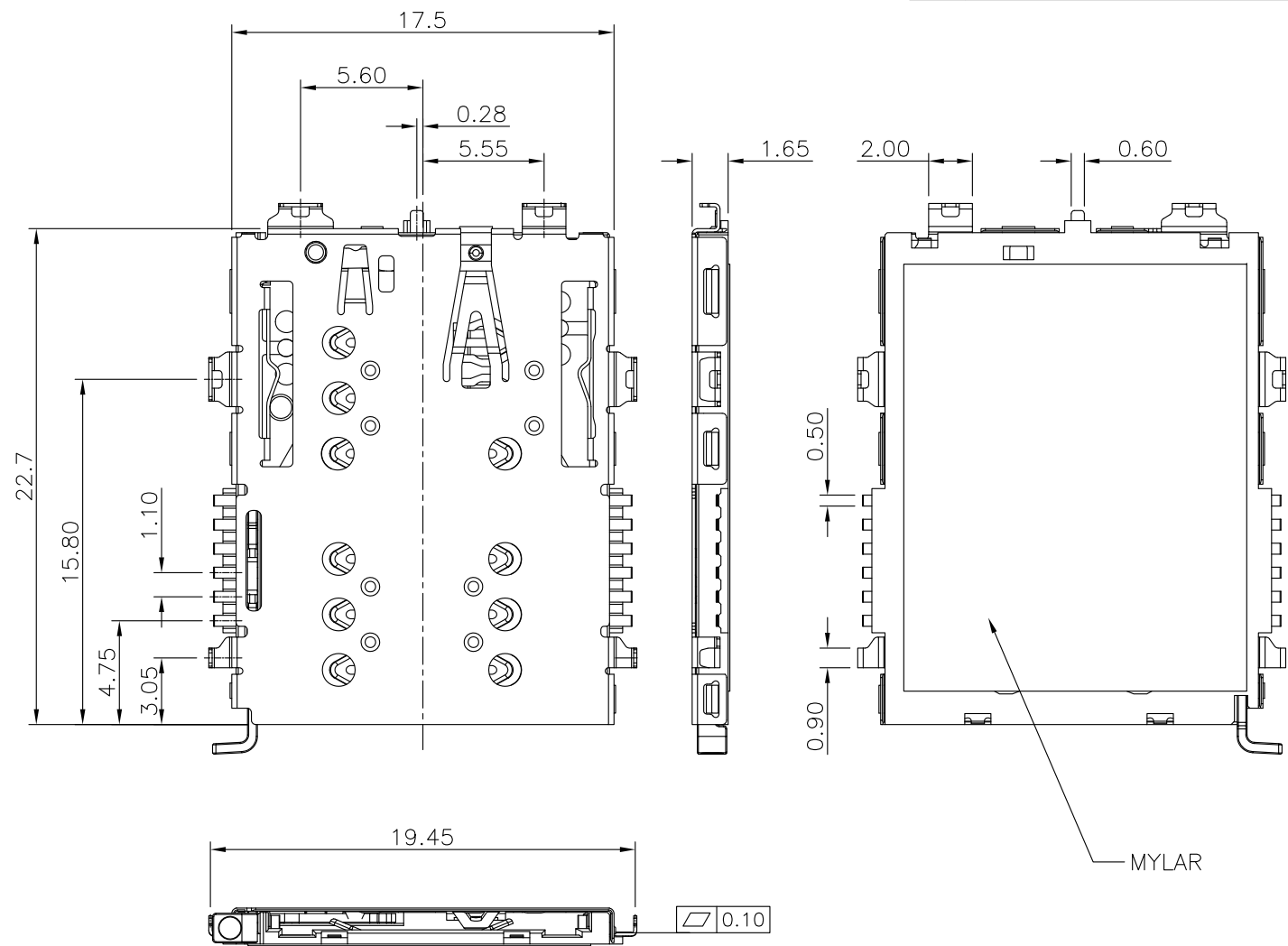


1 2 3 4 5 6

REVISIONS					
LTR	DESCRIPTION	DATE	REV.	CHKD.	APVD.

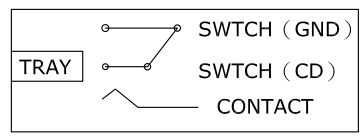
A  
B  
C  
D  
E



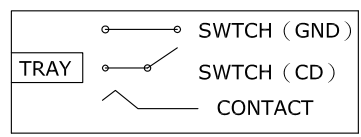
- SPECIFICATION:**
1. Current Rating : 0.5A
  2. Rated Voltage : 30V
  3. Insulation Resistance: 1000MΩ Min.
  4. Withstanding Voltage: 500V DC for 1 Minutes.
  5. Contact Resistance: 100mΩ Max.
  6. Insertion Force : 12N Max
  7. Push-out Force : 2N Min.
  8. Operating Temperature : -40°C ~ +75°C

**CIRCUIT DIAGRAM FOR DETECT SWITCHES**

SWTCH NORMAL CLOSE (TRAY NO INSERT)



SWTCH NORMAL OPEN (TRAY INSERTING)



6.	MYLAR	PET
5.	EJECT LEVER	Stainless
4.	EJECT BAR	Stainless
3.	SHELL	Stainless, Gold Flash on Solder Area, Ni Under-Plated
2.	CONTACT	Phosphor Bronze, Gold Flash on Contact Area and Solder Area, Ni Under Plated Over All
1.	HOUSING	LCP, UL 94V-0, Black
NO.	PART NAME	DESCRIPTION

120~315	±0.55	DWN	王淳新	DATE	2019.07.08	SCALE 3.125/1 PROJECTION UNIT:mm	NAME Nano SIM Socket Dual Tray Type CAT. NO. KMCX1NSM640541 DWN.NO. A-CX1NSM640541	
30~120	±0.45	DSND	王淳新	DATE	2019.07.08			
6~30	±0.35	CHKD	李阮龍	DATE	2019.07.08			
BELOW 6	±0.25	APVD	郭遠峰	DATE	2019.07.08			
DIMENSION	TOLERANCE	KUNMING ELECTRONICS CO.,LTD.						1/3 001

1 2 3 4 5 6

REVISIONS					
LTR	DESCRIPTION	DATE	REV.	CHKD.	APVD.

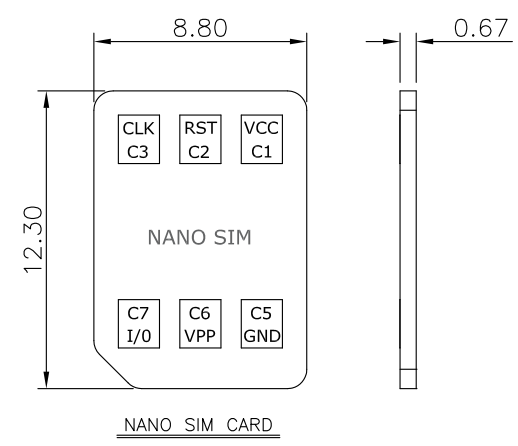
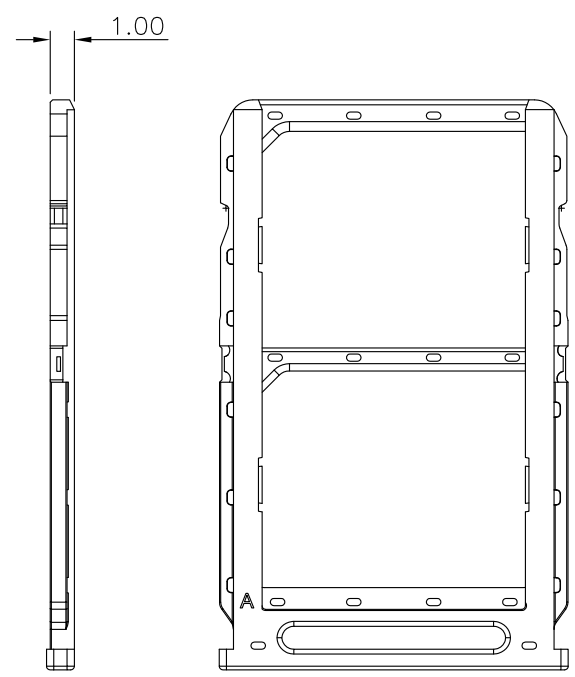
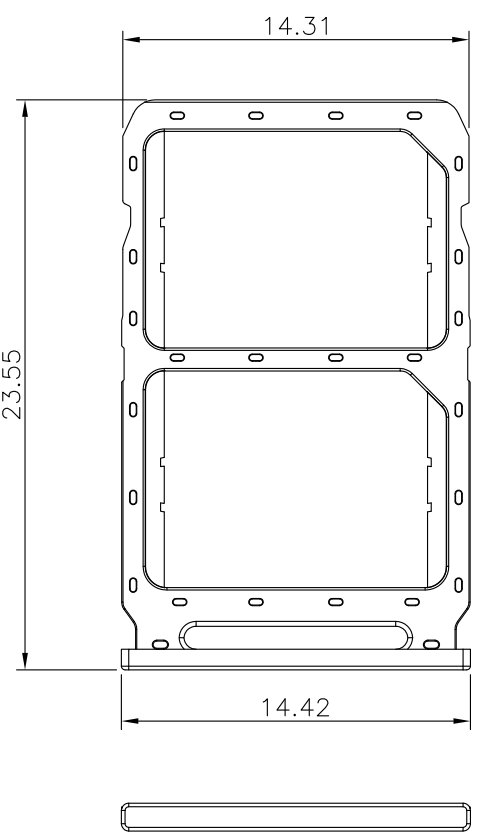
A

B

C

D

E



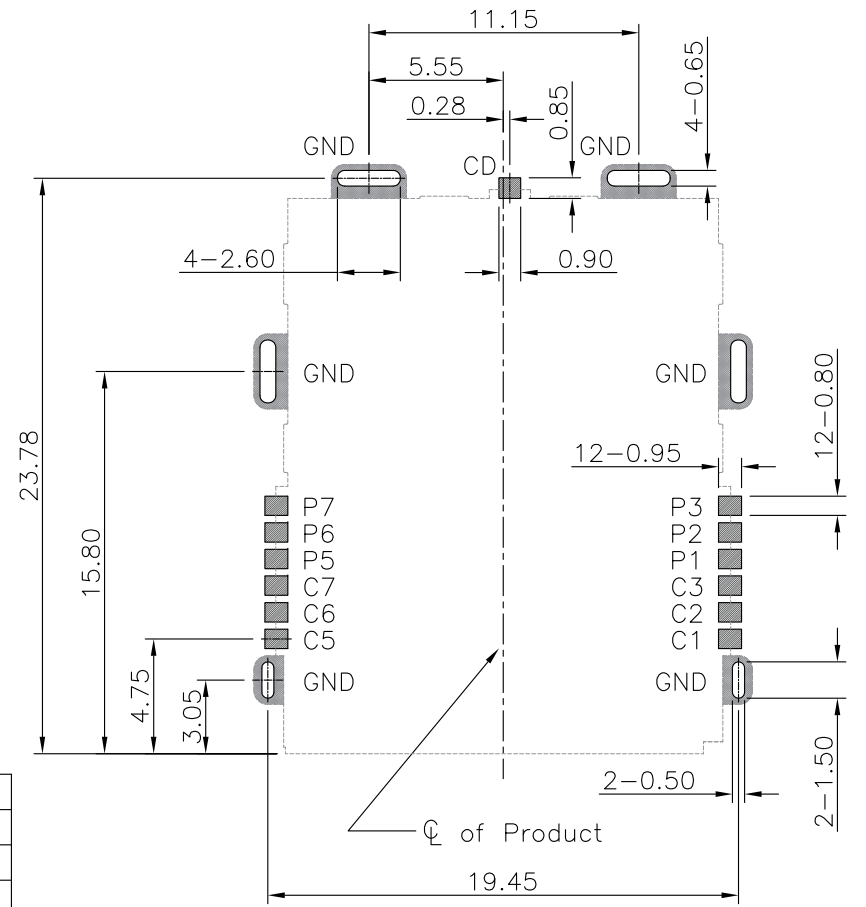
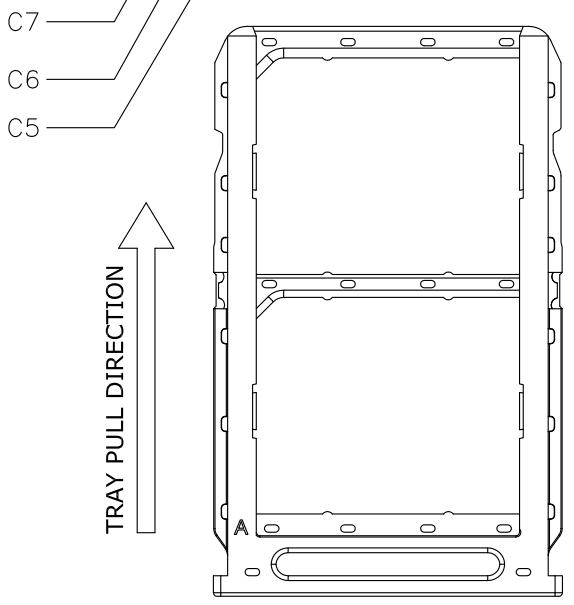
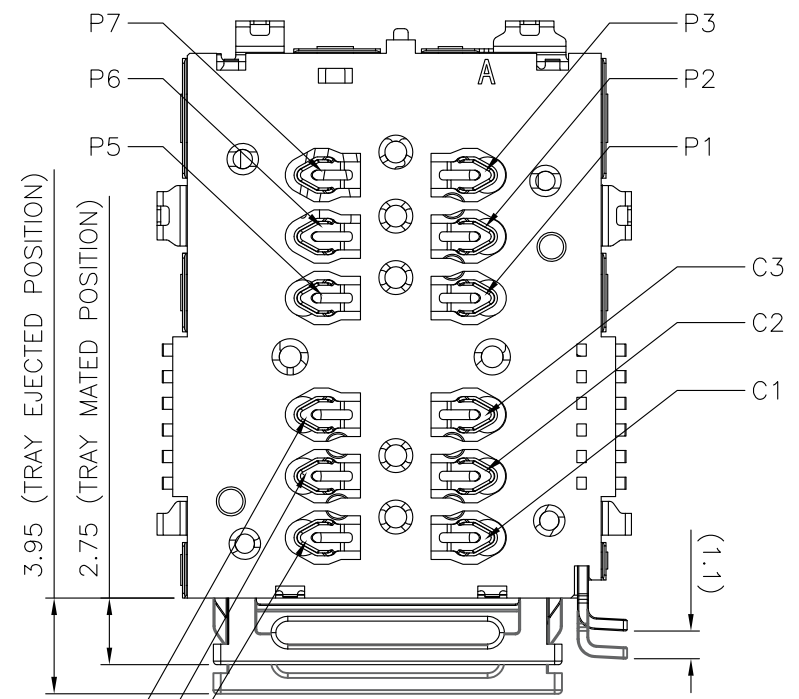
7.	TRAY	LCP, UL 94V-0, Black
NO.	PART NAME	DESCRIPTION

120~315	±0.55	DWN	王淳新	DATE	2019.07.08	SCALE 3.125/1	NAME Nano SIM Socket Dual Tray Type
30~120	±0.45	DSND	王淳新	DATE	2019.07.08		
6~30	±0.35	CHKD	李阮龍	DATE	2019.07.08	PROJECTION ⊕ ↙	CAT. NO. KMCX1NSM640541
BELOW 6	±0.25	APVD	郭遠峰	DATE	2019.07.08		
DIMENSION	TOLERANCE	KUNMING ELECTRONICS CO.,LTD.				DWN.NO. A-CX1NSM640541	2/3
							001

1 2 3 4 5 6

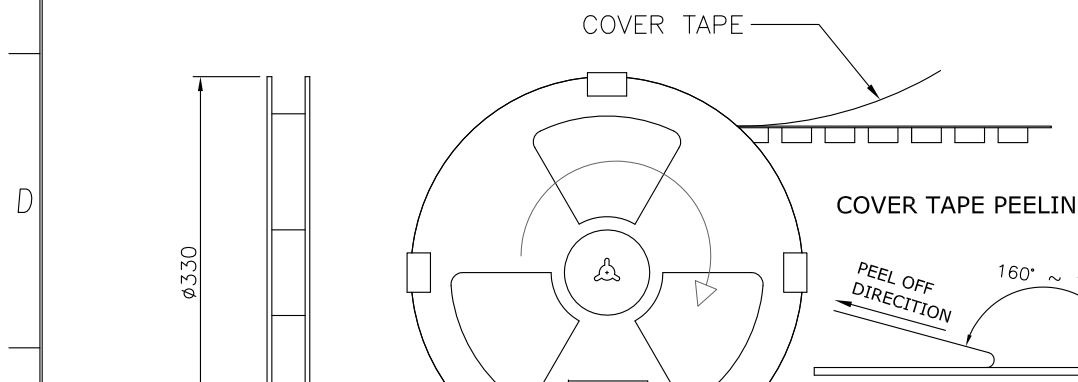
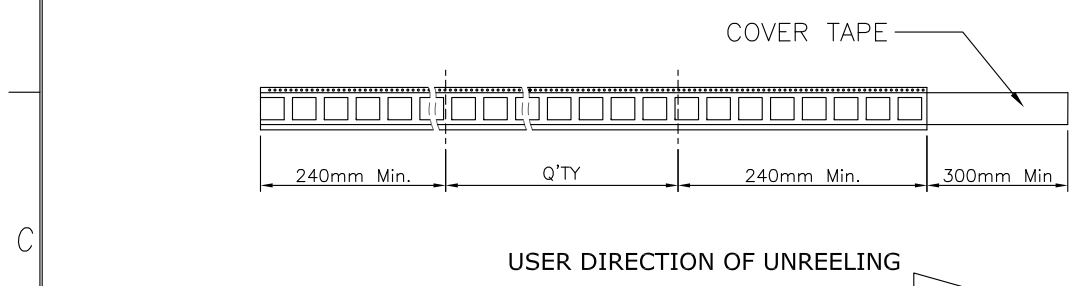
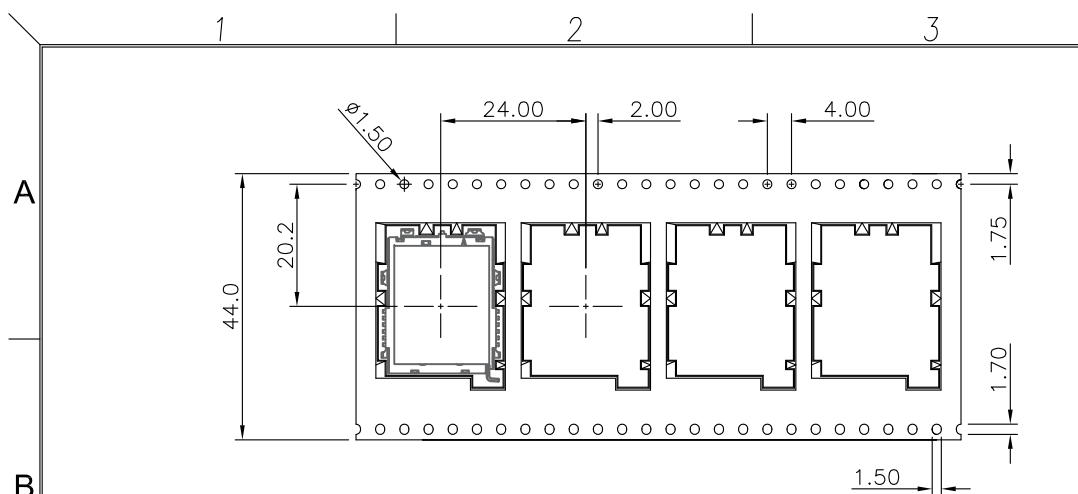
REVISIONS					
LTR	DESCRIPTION	DATE	REV.	CHKD.	APVD.

A  
B  
C  
D  
E



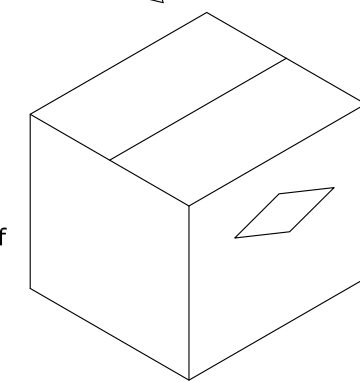
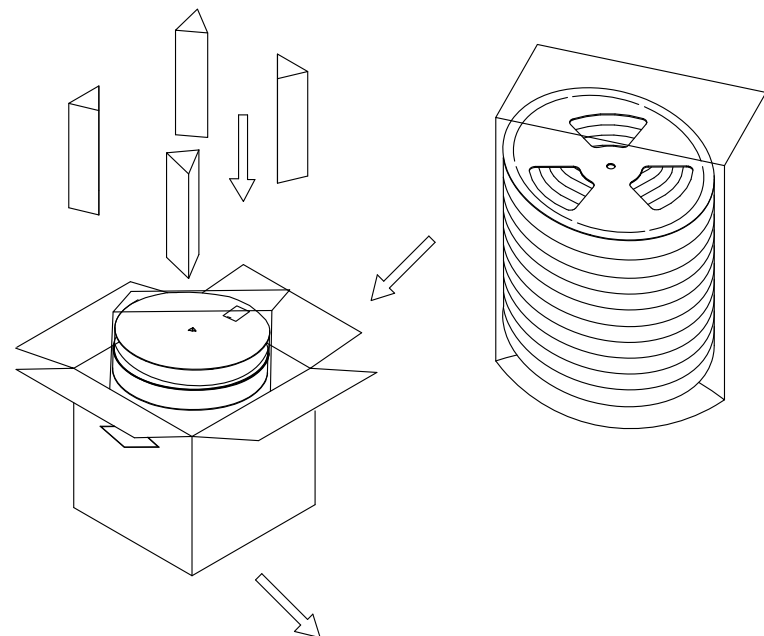
PIN NO.	DESCRIPTION
C1 / P1	VCC
C2 / P2	RST
C3 / P3	CLK
C5 / P5	GND
C6 / P6	VPP
C7 / P7	I/O
CD	Detect Switch

120~315	±0.55	DWN	王淳新	DATE	2019.07.08	SCALE 3.125/1	NAME Nano SIM Socket Dual Tray Type	
30~120	±0.45	DSND	王淳新	DATE	2019.07.08			
6~30	±0.35	CHKD	李阮龍	DATE	2019.07.08	PROJECTION Φ	CAT. NO. KMCX1NSM640541	
BELOW 6	±0.25	APVD	郭遠峰	DATE	2019.07.08			UNIT:mm
DIMENSION	TOLERANCE	KUNMING ELECTRONICS CO.,LTD.					DWN.NO. A-CX1NSM640541	3/3 001



120~315	±0.55	DWN	王淳新	DATE	2019.07.08
30~120	±0.45	DSND	王淳新	DATE	2019.07.08
6~30	±0.35	CHKD	李阮龍	DATE	2019.07.08
BELOW 6	±0.25	APVD	郭遠峰	DATE	2019.07.08
DIMENSION	TOLERANCE	KUNMING ELECTRONICS CO.,LTD.			

REVISIONS					
LTR	DESCRIPTION	DATE	REV.	CHKD.	APVD.



**CARTON SIZE :**  
350mm x 350mm x 340mm

**PACKAGING QUANTITY**

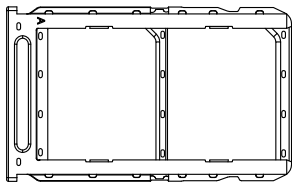
QTY/REEL	REEL/CARTON	QTY/CARTON
600	6	3600

SCALE	3.125/1	NAME	Nano SIM Socket Dual Tray Type
PROJECTION		CAT. NO.	KMCX1NSM640541
UNIT:mm		DWN.NO.	P-CX1NSM640541
			1/2
			001

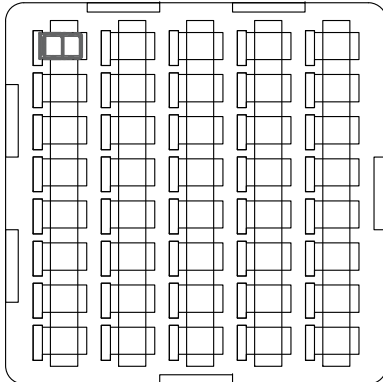
1 2 3 4 5 6

REVISIONS					
LTR	DESCRIPTION	DATE	REV.	CHKD.	APVD.

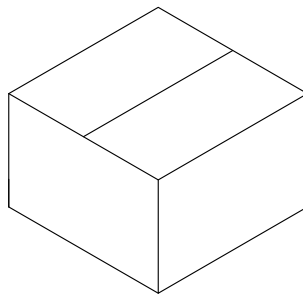
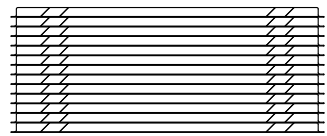
PRODUCT TRAY



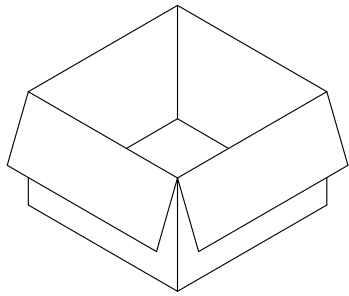
PACKING TRAY



21PCS / Box  
An empty plate on top



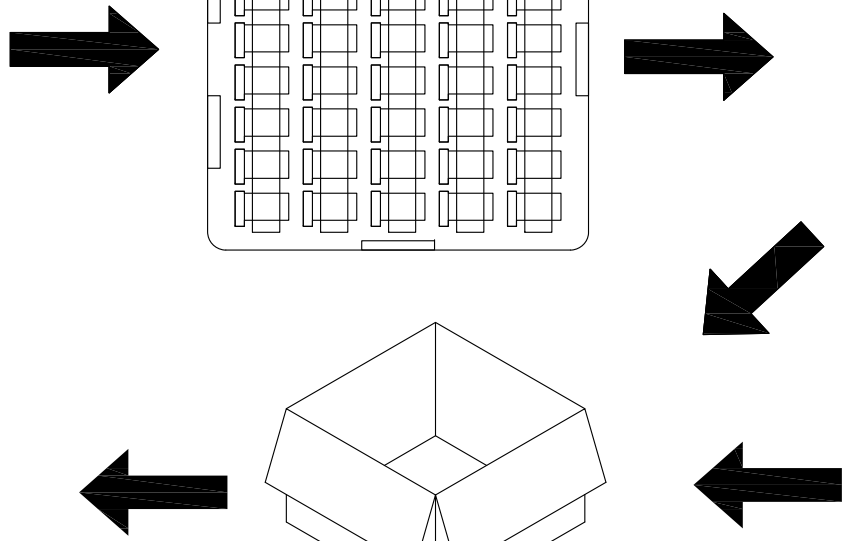
**CARTON**  
SIZE : 225mm x 225mm x 200mm  
QTY : 800 PCS



**CARTON**



**PE Bag**



120~315	±0.55	DWN	王淳新	DATE	2019.07.08	SCALE 3.125/1	NAME	Nano SIM Socket Dual Tray Type	
30~120	±0.45	DSND	王淳新	DATE	2019.07.08		PROJECTION	CAT. NO.	
6~30	±0.35	CHKD	李阮龍	DATE	2019.07.08	UNIT:mm	KMCX1NSM640541		
BELOW 6	±0.25	APVD	郭遠峰	DATE	2019.07.08		DWN.NO.		2/2
DIMENSION TOLERANCE		KUNMING ELECTRONICS CO.,LTD.					P-CX1NSM640541		001

A  
B  
C  
D  
E