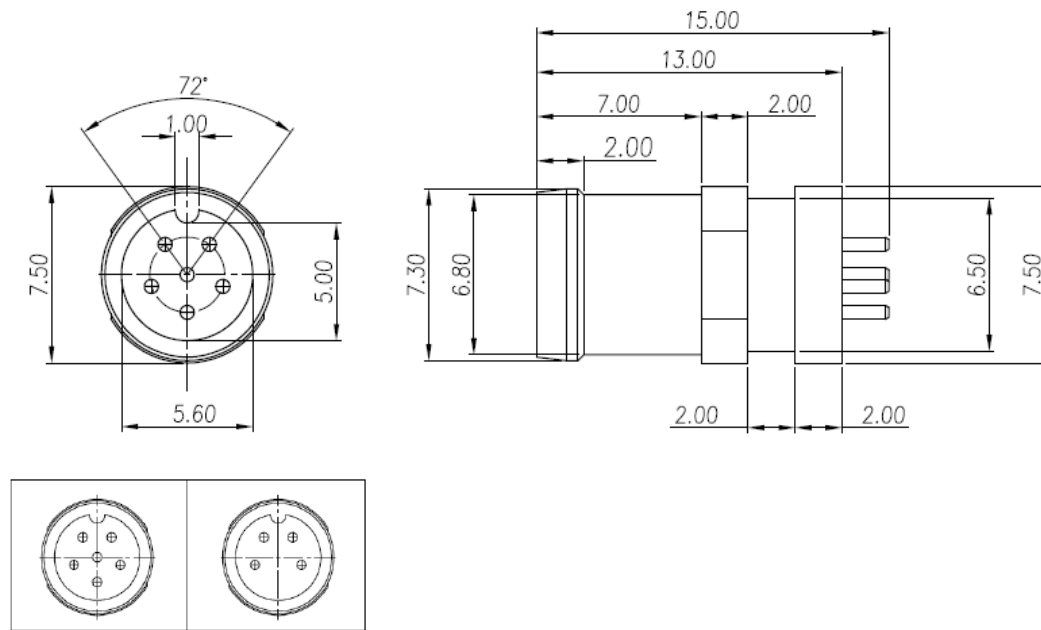


## Female Connector Proposal:



## Feature SPEC:

1. Connector: Female Type, Cable Soldering Type
2. Pin count: 6pins
3. Current Rating: 1A
4. Voltage Rating: 30V
5. Operation Temperature: -20°C ~ 85°C
6. Housing: PBT UL94V-0
7. Color: Black
8. Contact: Brass, Silver Plated