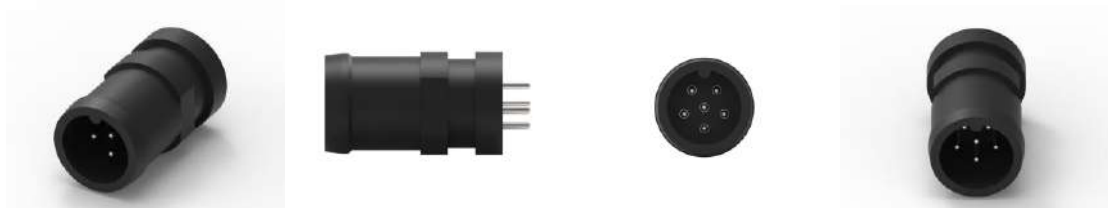
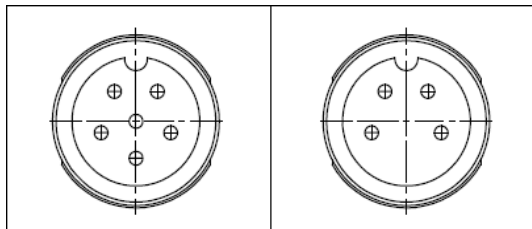
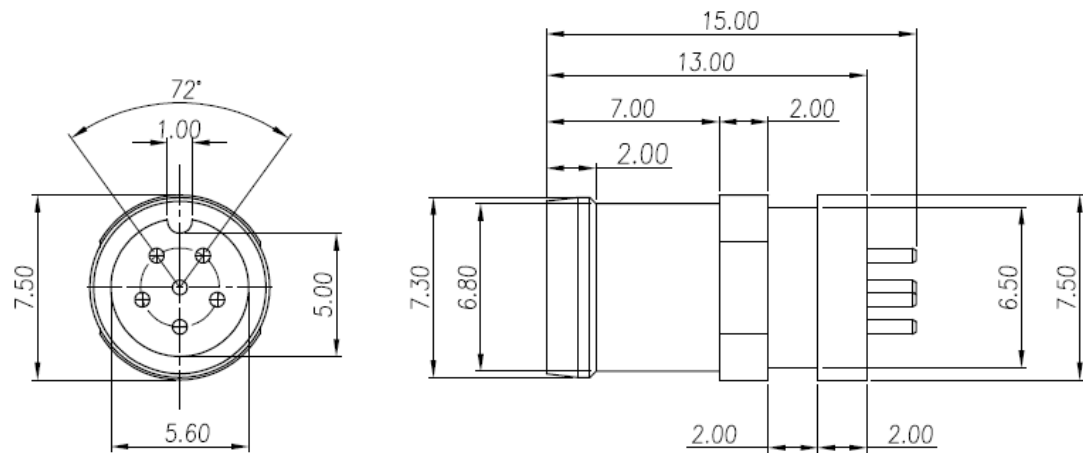


Male Connector Proposal:



Feature SPEC:

1. Connector: Male Type
2. Pin count: 6pins
3. Current Rating: 1A
4. Voltage Rating: 30V
5. Operation Temperature: $-20^{\circ}\text{C} \sim 85^{\circ}\text{C}$
6. Housing: PBT UL94V-0
7. Color: Black
8. Contact: Brass, Silver Plated