

REVISIONS					
LTR	DESCRIPTION	DATE	REV.	CHKD.	APVD.

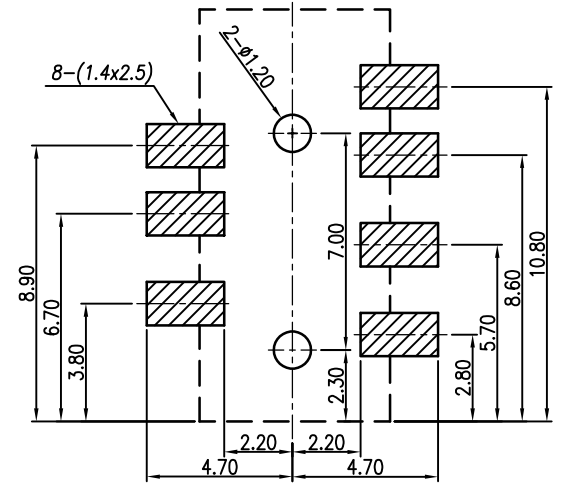
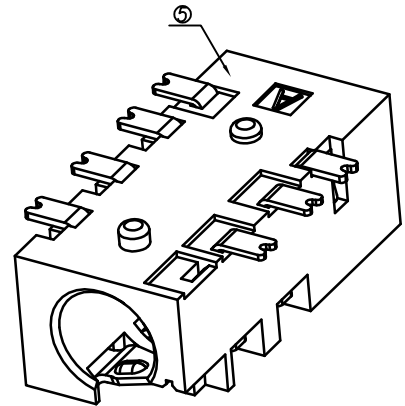
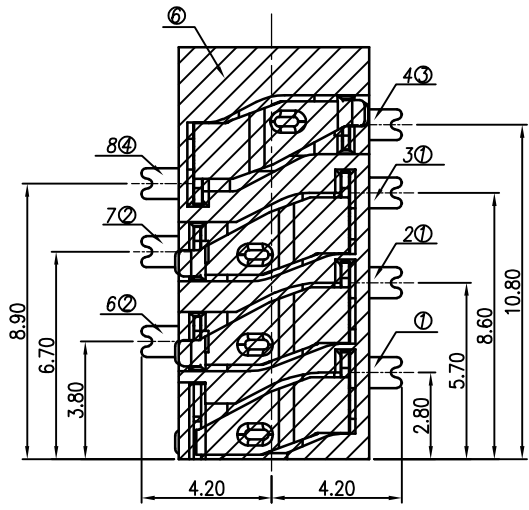
A

B

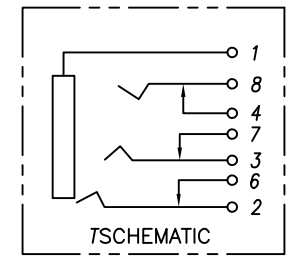
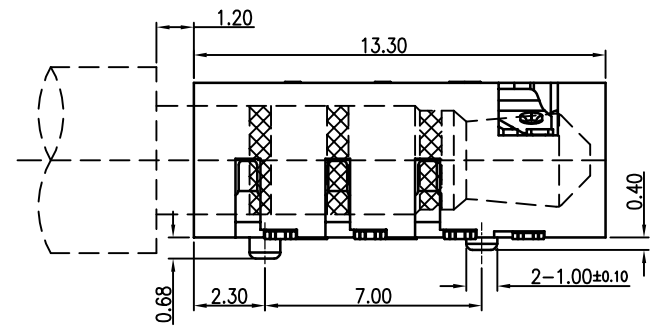
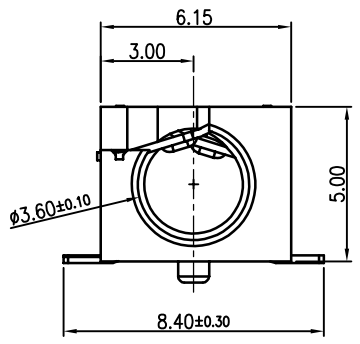
C

D

E



T:1.6 DIMENSIONS OF DC BOARD HOLES
TOLERANCES:±0.10(PRINTED-TOP VIEW)



⑥	MYLAR	1	N/A	AMBER	120~315	±0.50	DWN	王合諧	DATE	2021.09.23	SCALE 4/1	NAME φ3.5mm PHONE JACK
⑤	HOUSING	1	HIGH TEMP.THERMOPLASTIC	Black	30~120	±0.35	DSND	王合諧	DATE	2021.09.23		
④	TERMINAL 5#	1	COPPER ALLOY t=0.25	Ag PLATED	6~30	±0.22	CHKD	李阮龍	DATE	2021.09.23	PROJECTION ⊕	CAT. NO. KMPJ3583S070182004
③	TERMINAL 4#	1	COPPER ALLOY t=0.20	Ag PLATED	BELOW 6	±0.16	APVD	郭遠峰	DATE	2021.09.23		
②	TERMINAL 3#	2	COPPER ALLOY t=0.20	Ag PLATED	DIMENSION	TOLERANCE	KUNMING ELECTRONICS CO.,LTD.	DWN.NO.	UNIT:mm		A-PJ3583S070182004	1/1
①	TERMINAL 1#	3	COPPER ALLOY t=0.25	Ag PLATED								
No.	PART NAME	QTY	MATERIAL(THICK)	PLATING(COLOR)			DWN.NO.				1/1	001