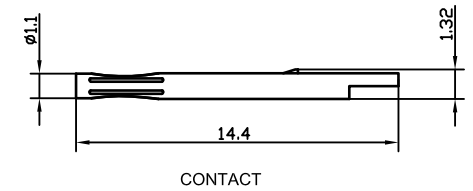
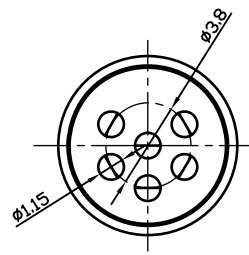
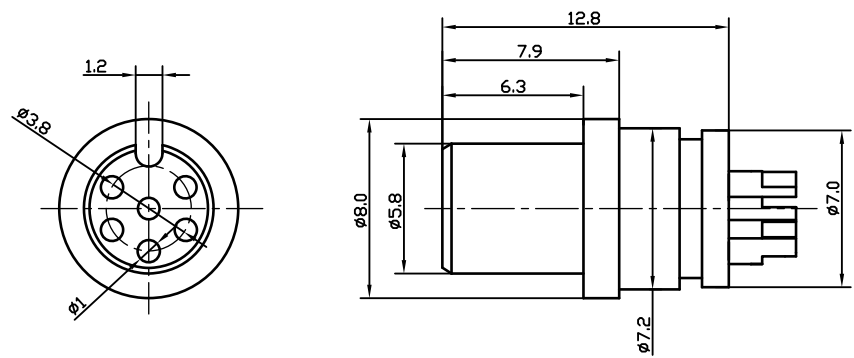
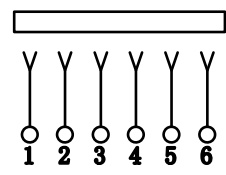


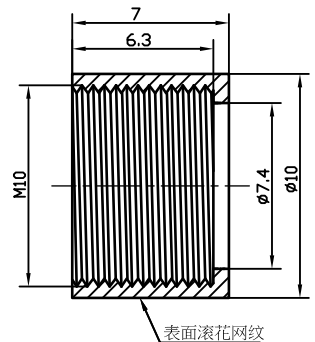
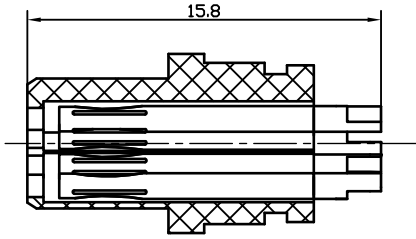
REV.	MARK	DESCRIPTION	DATE	APPROVED



CONTACT



电路图



THREAD SLEEVE

M8-2P FEMALE PLUG	M8-3P FEMALE PLUG	M8-4P FEMALE PLUG	M8-5P FEMALE PLUG	M8-6P FEMALE PLUG

PART NO. INFORMATION CODE:
KMM802F N P A B C G1 P
 Number of Poles: N, P, A, B, C, G1, P
 胶芯颜色规格: A=蓝色, B=黑色, G=绿色, D=橙色, R=红色, W=白色, Y=黄色
 螺纹套材质: C: BRASS
 端子电镀规格: *G1=金 1.0u" Gold Flash, G3=金 5u", G4=金 10u", G5=金 15u"

- 规格参数**
- 电气性能参数
 - 额定电流: 2A
 - 额定电压: 200V AC
 - 接触电阻: 30mΩ MAX
 - 绝缘阻抗: 100MΩ MIN
 - 耐压: 2000V AC (50Hz) 1 min
 - 机械性能参数
 - 寿命: 3000 CYCLES MIN
 - 插拔力: 5N~40N
 - 工作温度: -30°C - +70°C
 - 盐雾试验: 满足48H(小时)

NO.	PART NAME	TER' NO.	QTY'	MATERIAL	REMARK	TOLERANCE UNLESS OTHERWISE SPEC.		DSND	X.J XUE	DATE	2020.07.06	SCALE: N/A	MODEL TYPE: M8-2~6P FEMALE PLUG(母头)			
						BASIC DIMENSIONS	TOLERANCES						PART NO.:	DWG NO.:	REVISION	
③	THREAD SLEEVE		1	COPPER ALLOY/STEEL	Ni-PLATED	L ≤ 4	±0.25	DRWN	X.J XUE	DATE	2020.07.06	VIEW:	KMM802F_PA CG_P	WEIGHT	SHEET	REVISION
②	CONTACT		6	PHOSPHOR BRONZE	Au-PLATED/Sn-PLATED	4 < L ≤ 16	±0.35	CHKD	F.R CHEN	DATE	2020.07.06	UNIT: mm	N/A	N/A	1/1	A0
①	HOUSING		1	PBT UL94V-0	COLOR BY ORDER	16 < L ≤ 63	±0.45	APPD	Y.H LONG	DATE	2020.07.06	SIZE: A4				
						63 < L	±0.55									
						ANGULAR DIMENSIONS: ±3°										

THIS DOCUMENT IS THE PROPERTY OF ANSHENG ELECTRONICS CO.,LTD.,NO PART THEREOF MAY BE REPRODUCED AND USED WITHOUT THE PRIOR WRITTEN CONSENT OF THE OWNER