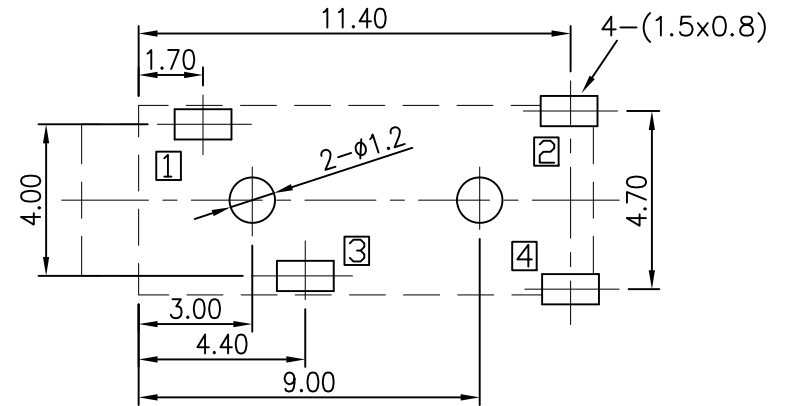
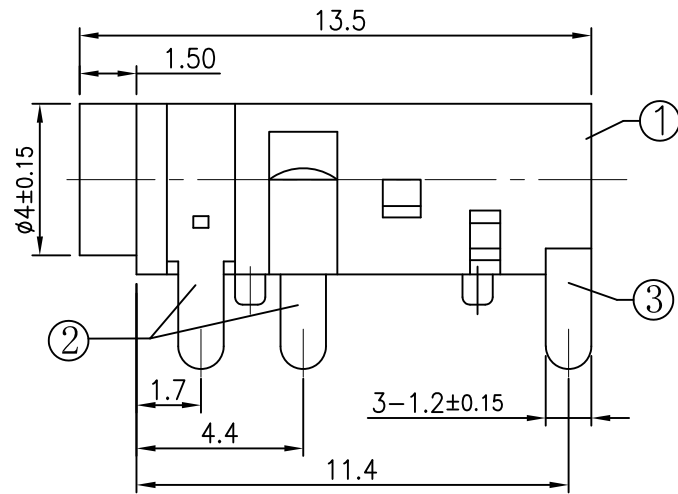
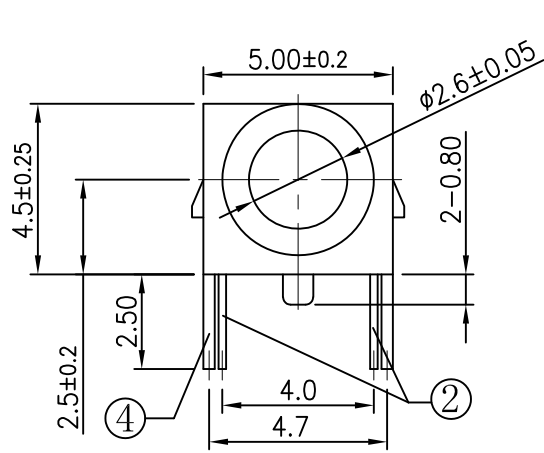
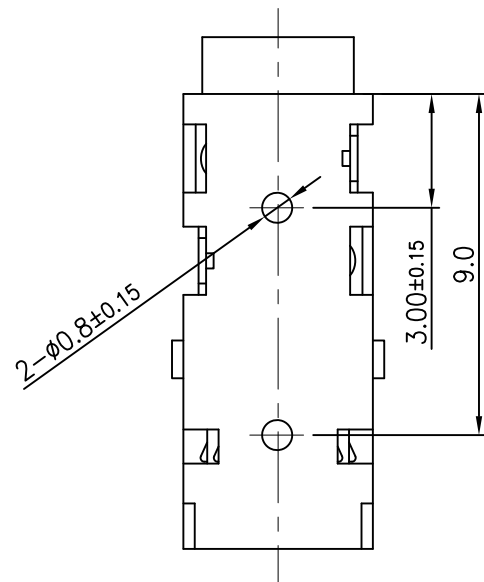


REVISIONS					
LTR	DESCRIPTION	DATE	REV.	CHKD.	APVD.



RECOMMENDED P.C.B. LAYOUT  
 UNSPECIFIED TOLERANCE: ±0.05  
 (COPPER-SIDE VIEW)



Model NO.	KMMZ31764
Schematic	

④	SHUNT TERMINAL	1	Brass	t=0.40	Ag Plating
③	TIP SPRING	1	Phosphor bronze	t=0.30	Ag Plating
②	RING SPRING	1	Phosphor bronze	t=0.25	Ag Plating
①	HOUSING	1	PA9T	UL 94V-0	BLACK
LTR	PART NAME	Q'TY	MATERIAL	REMARK	

0'	±2'	DWN	王生軍	DATE	2022.06.24	SCALE 1/1	NAME MINIATURE JACK
0	±0.5	DSND	王名正	DATE	2022.06.24		
0.0	±0.3	CHKD	張啟濤	DATE	2022.06.24	PROJECTION ⊕ ↙	CAT. NO. KMMZ31764
0.00	±0.2	APVD	郭遠峰	DATE	2022.06.24		
DIMENSION	TOLERANCE	KUNMING ELECTRONICS CO.,LTD.				DWN.NO. A-MZ31764	1/1 001