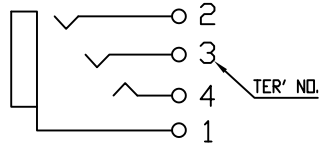
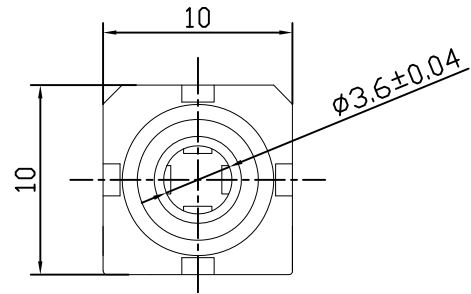


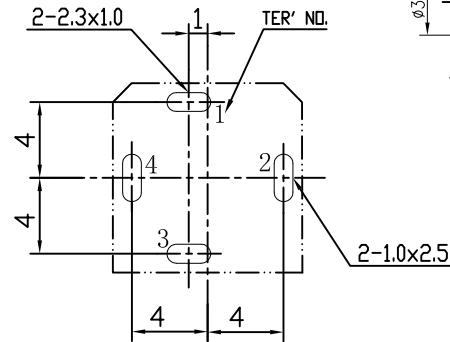
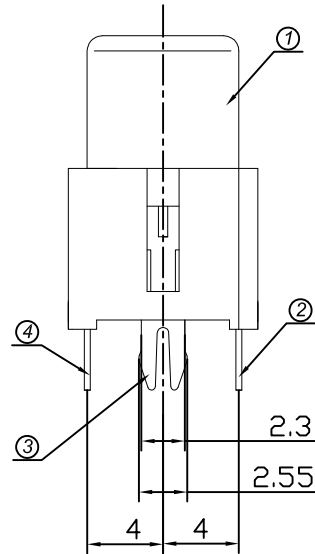
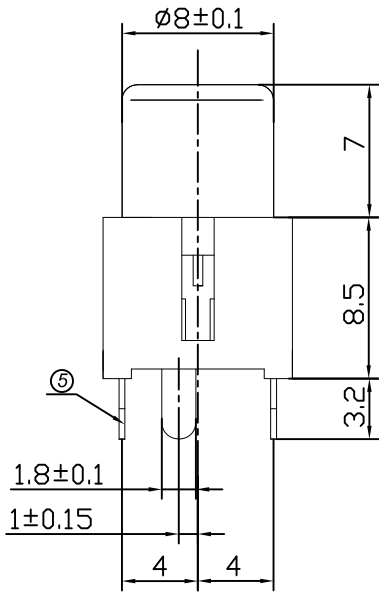
1	2		3	4		5		6	
				REVISIONS					
LTR	DESCRIPTION			DATE	REV.	CHKD.		APVD.	



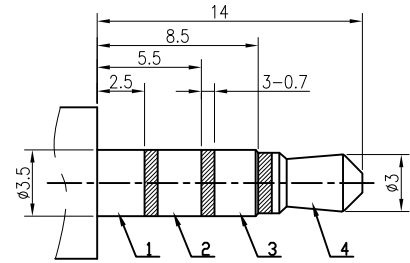
CIRCUIT DIAGRAM

SPECIFICATIONS:

1. RATED VOLTAGE AND CURRENT: 30VDC 0.3A.
2. WITHSTAND VOLTAGE: 500VAC FOR 1MINUTE.
3. INSULATION RESISTANCE: 100MΩ MIN.
4. CONTACT RESISTANCE: 50mΩ MAX. (INITIAL).
5. INSERTION AND EXTRACTION FORCE: 3N TO 35N.
6. LIFE: 5000 CYCLES MIN.



PCB MOUNTING HOLES
(TOP VIEW)(tolerance:±0.05)



RECOMMENDED PLUG
Ø3.5 4-POLE STANDARD PLUG

					120~315	±0.55	DWN	王安盛	DATE	2018.07.05	SCALE 2.5/1	NAME Ø3.5mm PHONE JACK	
					30~120	±0.45	DSND	王安盛	DATE	2018.07.05			
					6~30	±0.35	CHKD	李阮龍	DATE	2018.07.05	PROJECTION ⊕ ↗	CAT. NO. KMPJ3130SDABCL1P	
					BELOW 6	±0.25	APVD	郭遠峰	DATE	2018.07.05			UNIT:mm
⑤	4# TERMINAL	4	1	PHOSPHOR BRONZE t=0.3	Sn-PLATED	DIMENSION TOLERANCE KUNMING ELECTRONICS CO.,LTD.						DWN.NO.	1/1
④	3# TERMINAL	3	1	PHOSPHOR BRONZE t=0.3	Sn-PLATED							A-PJ3130SDABCL1P	
③	2# TERMINAL	2	1	PHOSPHOR BRONZE t=0.3	Sn-PLATED								
②	1# TERMINAL	1	1	PHOSPHOR BRONZE t=0.3	Sn-PLATED								
①	HOUSING		1	PBT G15 UL94 V-0 BLACK									
NO.	PART NAME	TER' NO.	Q'TY	MATERIAL	FINISH							001	